

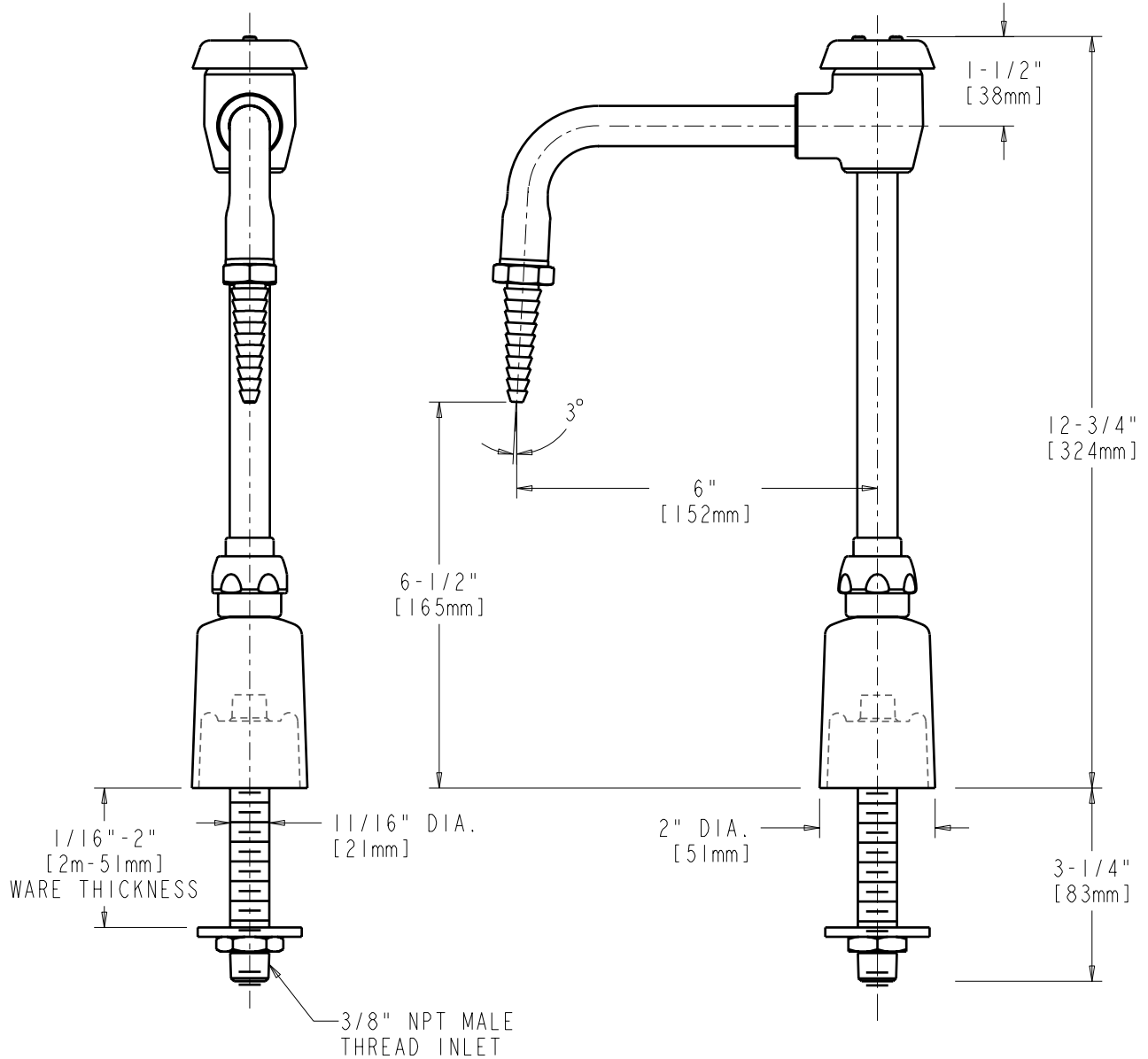
JOB NAME

ITEM NO.

SUBMITTED AS SHOWN

SUBMITTED AS NOTED

SEE ATTACHED FOR
SUBMITTED MODIFICATION



TECHNICAL DATA

- DECK MOUNTED SINGLE WATER INLET FITTING
- GN2BVB RIGID/SWING VACUUM BREAKER SPOUT
- FINISH: CHROME PLATE

- E7 LAB NOZZLE OUTLET
- INLET SHANK ASSEMBLED TO TURRET

DATE: 5-20-02

BY: JAR

CHK'D:

APP'D:

REV: A

985-AWSGN2BVBE7

ROUGHING IN DIMENSIONS MAY VARY AND ARE SUBJECT TO CHANGE. NO RESPONSIBILITY IS ASSUMED FOR USE OF SUPERCEDED OR VOIDED DATA.