

ROUGHING IN DIMENSIONS MAY VARY AND ARE SUBJECT TO CHANGE. NO RESPONSIBILITY IS ASSUMED FOR USE OF SUPERCEDED OR VOIDED DATA. (0192-1)

# CHICAGO<sup>®</sup> FAUCETS

2100 SOUTH CLEARWATER DRIVE  
DES PLAINES, ILLINOIS 60018-5999

FITTING NO.

985A

SUBMITTED MODEL NO.

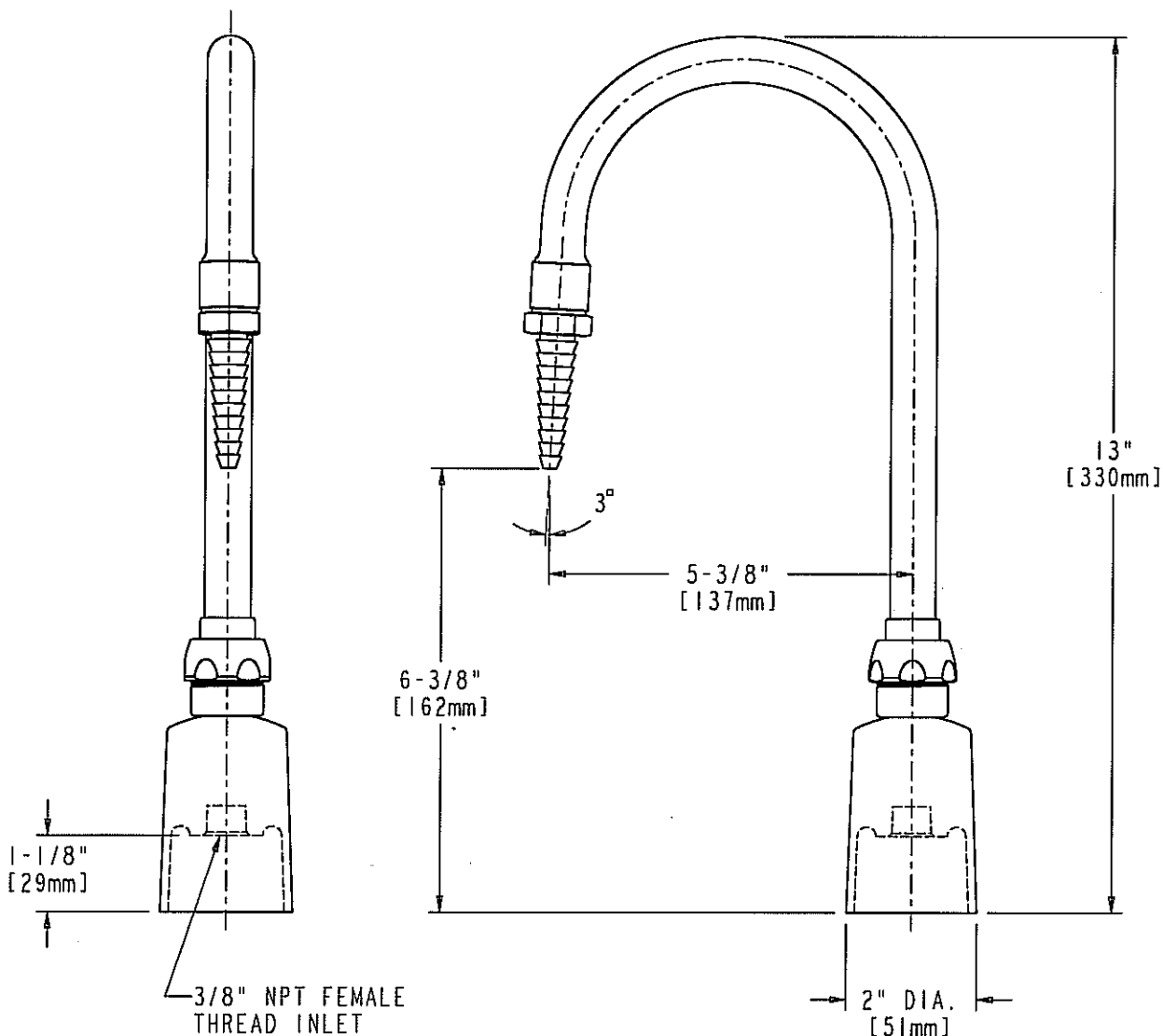
JOB NAME

ITEM NO.

SUBMITTED AS SHOWN

SUBMITTED AS NOTED

SEE ATTACHED FOR  
SUBMITTED MODIFICATION



DIMENSIONS IN INCHES AND [MILLIMETERS].

TECHNICAL DATA

- DECK MOUNTED TURRET FITTING
- GN2B RIGID/SWING GOOSENECK SPOUT
- POLISHED CHROME FINISH OR AS SPECIFIED

- E7 LAB NOZZLE OUTLET
- ANSI A112.18.1 COMPLIANT

DATE: 06-02-97

BY: MGM

CHK'D: *AT*

APP'D:

REV: 06-02-97

985A