

JOB NAME

ITEM NO.

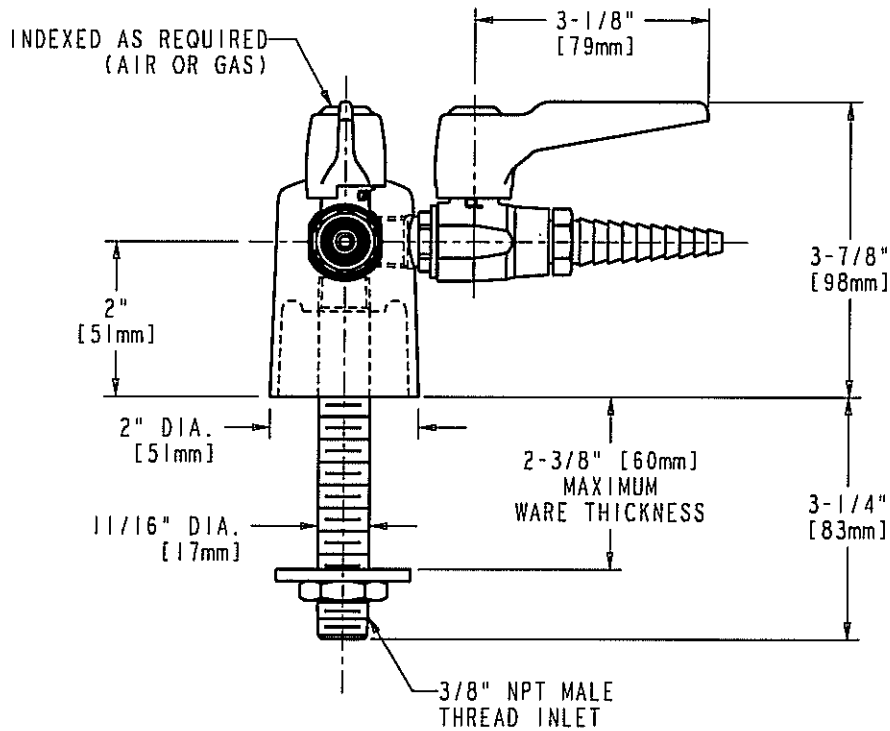
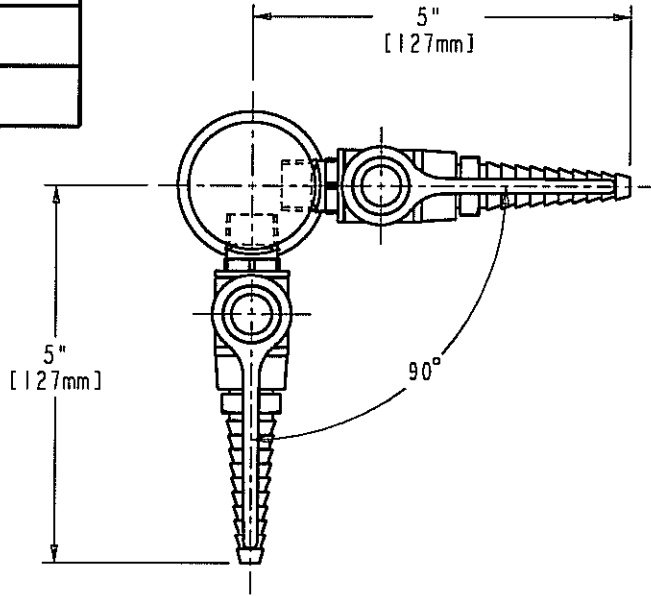
SUBMITTED AS SHOWN

SUBMITTED AS NOTED

SEE ATTACHED FOR
SUBMITTED MODIFICATION



ADA COMPLIANT



ROUGHING IN DIMENSIONS MAY VARY AND ARE SUBJECT TO CHANGE. NO RESPONSIBILITY IS ASSUMED FOR USE OF SUPERCEDED OR VOIDED DATA.

DIMENSIONS IN INCHES AND [MILLIMETERS].

TECHNICAL DATA

- TURRET WITH TWO BALL VALVES 90° APART
- (2) 909 GAS BALL VALVES
- E7TC REMOVABLE SERRATED HOSE NOZZLE WITH CHECK VALVE
- LEVER HANDLES WITH AIR OR GAS INDEX BUTTON
- 957-3K INLET SHANK ASSEMBLY ASSEMBLED TO TURRET
- 0.5-125 PSI MAXIMUM OPERATING PRESSURE
- FINISH: CHROME PLATE

- ANSI Z21.5A
- CGA 9.1-M

DATE: 05-06-04

BY: SID

CHK'D:

APP'D: *[Signature]*

REV: A

982-WS909CAG