

JOB NAME

ITEM NO.

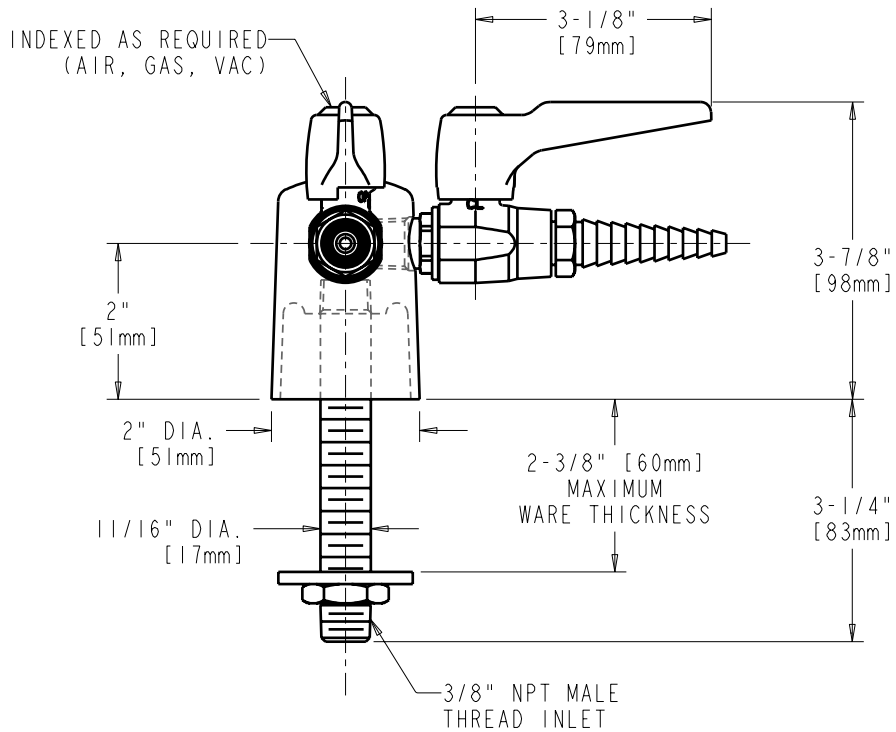
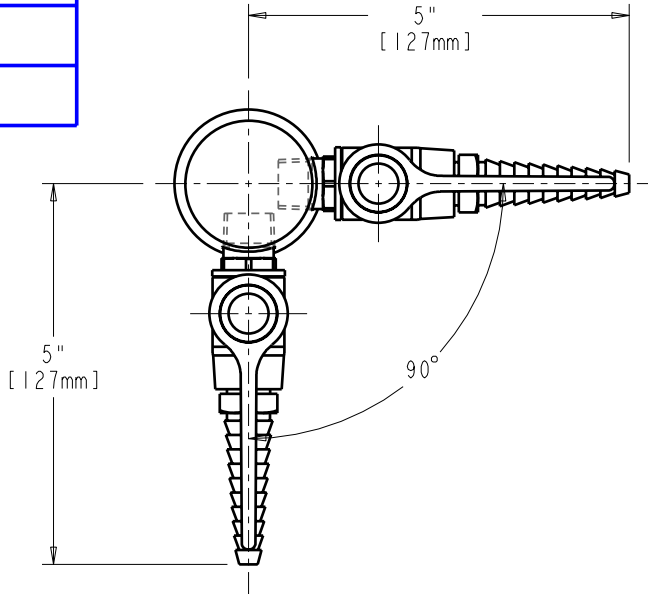
SUBMITTED AS SHOWN

SUBMITTED AS NOTED

SEE ATTACHED FOR
SUBMITTED MODIFICATION



ADA COMPLIANT



ROUGHING IN DIMENSIONS MAY VARY AND ARE SUBJECT TO CHANGE. NO RESPONSIBILITY IS ASSUMED FOR USE OF SUPERCEDED OR VOIDED DATA.

TECHNICAL DATA

- TURRET WITH TWO BALL VALVES
- (2) 909 GAS BALL VALVES
- E7TC REMOVABLE SERRATED HOSE NOZZLE
- AIR, GAS AND VACUUM BUTTONS
- 957-3K INLET SHANK ASSEMBLY
- 0.5-125 PSI MAXIMUM OPERATING PRESSURE
- FINISH: CHROME PLATE

- ANSI Z21.5A
- CGA 9.1-M

DATE: 5-20-02

BY: JAR

CHK'D:

APP'D:

REV: A

982-WS909AGV