



a Geberit company

2100 South Clearwater Drive  
Des Plaines, IL 60018  
Phone: 847-803-5000  
Fax: 847-803-5454  
www.chicagofaucets.com

# ROUGH-IN

FITTING NO.

982-VR909AGVCP

BY: SID

DATE: 03-18-09

SUBMITTED MODEL NO.

CHK: *[Signature]*

REV:

**FOR TECHNICAL ASSISTANCE**  
1-800-TEC-TRUE (1-800-832-8783)

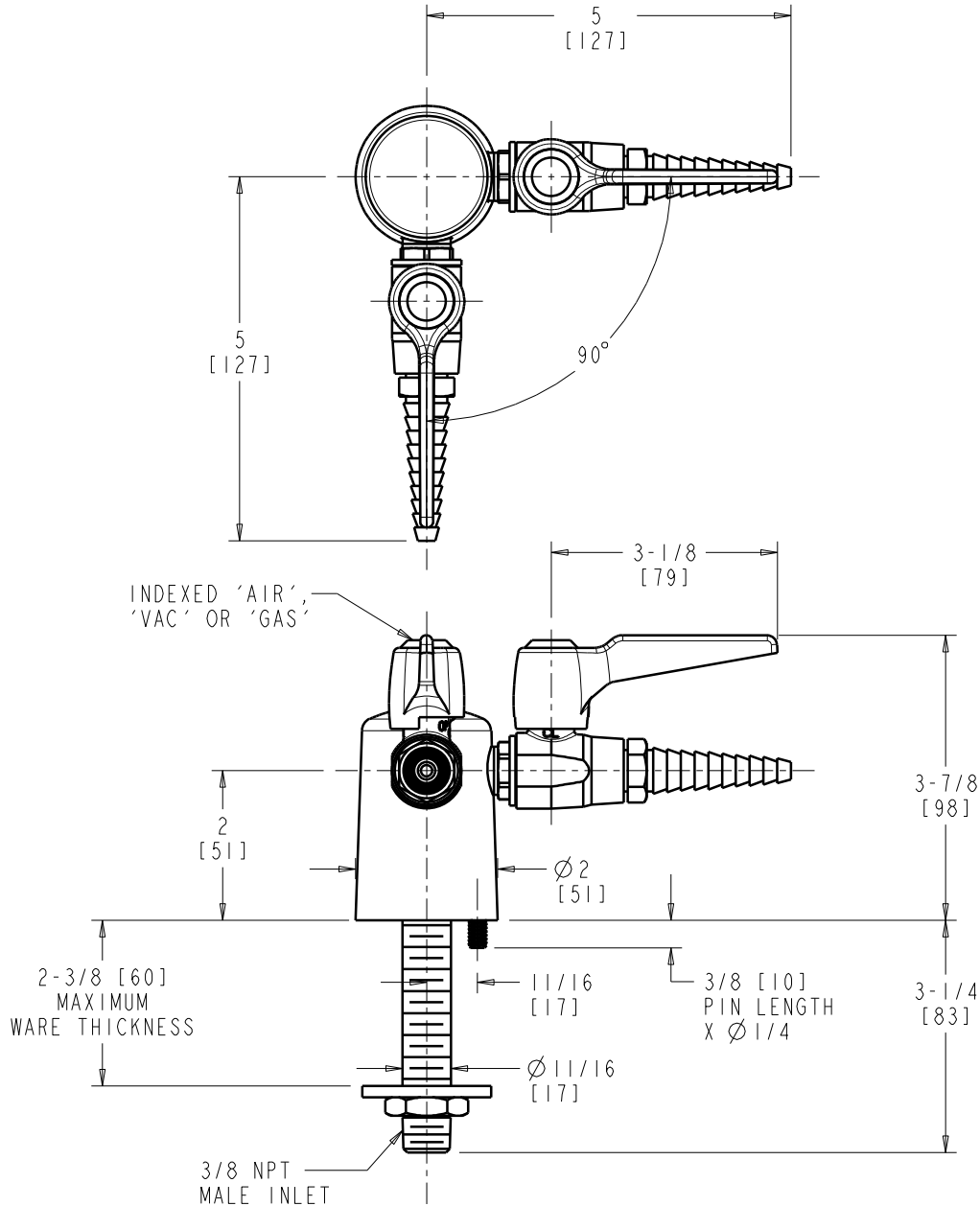
SUBMITTED AS SHOWN

SUBMITTED AS NOTED

SEE ATTACHED FOR  
SUBMITTED MODIFICATION

JOB NAME

ITEM NO.



DIMENSIONS ARE IN INCHES AND [MILLIMETERS].

### TECHNICAL DATA

- VANDAL RESISTANT TURRET WITH TWO BALL VALVES AT 90°
- E7TC REMOVABLE SERRATED HOSE NOZZLE WITH CHECK VALVE
- AIR VAC OR GAS INDEX BUTTONS
- 957-003K INLET SHANK ASSEMBLY
- FINISH: CHROME PLATE

- 0.5-125 PSI MAXIMUM OPERATING PRESSURE
- ANSI Z21.15/CGA 9.1 COMPLIANT



ADA COMPLIANT

ROUGHING IN DIMENSIONS MAY VARY AND ARE SUBJECT TO CHANGE. NO RESPONSIBILITY IS ASSUMED FOR USE OF SUPERCEDED OR VOIDED DATA.