

# CHICAGO FAUCETS

a Geberit company



2100 SOUTH CLEARWATER DRIVE  
DES PLAINES, ILLINOIS 60018-5999

FITTING NO.

982-909CAG

SUBMITTED MODEL NO.

JOB NAME

ITEM NO.

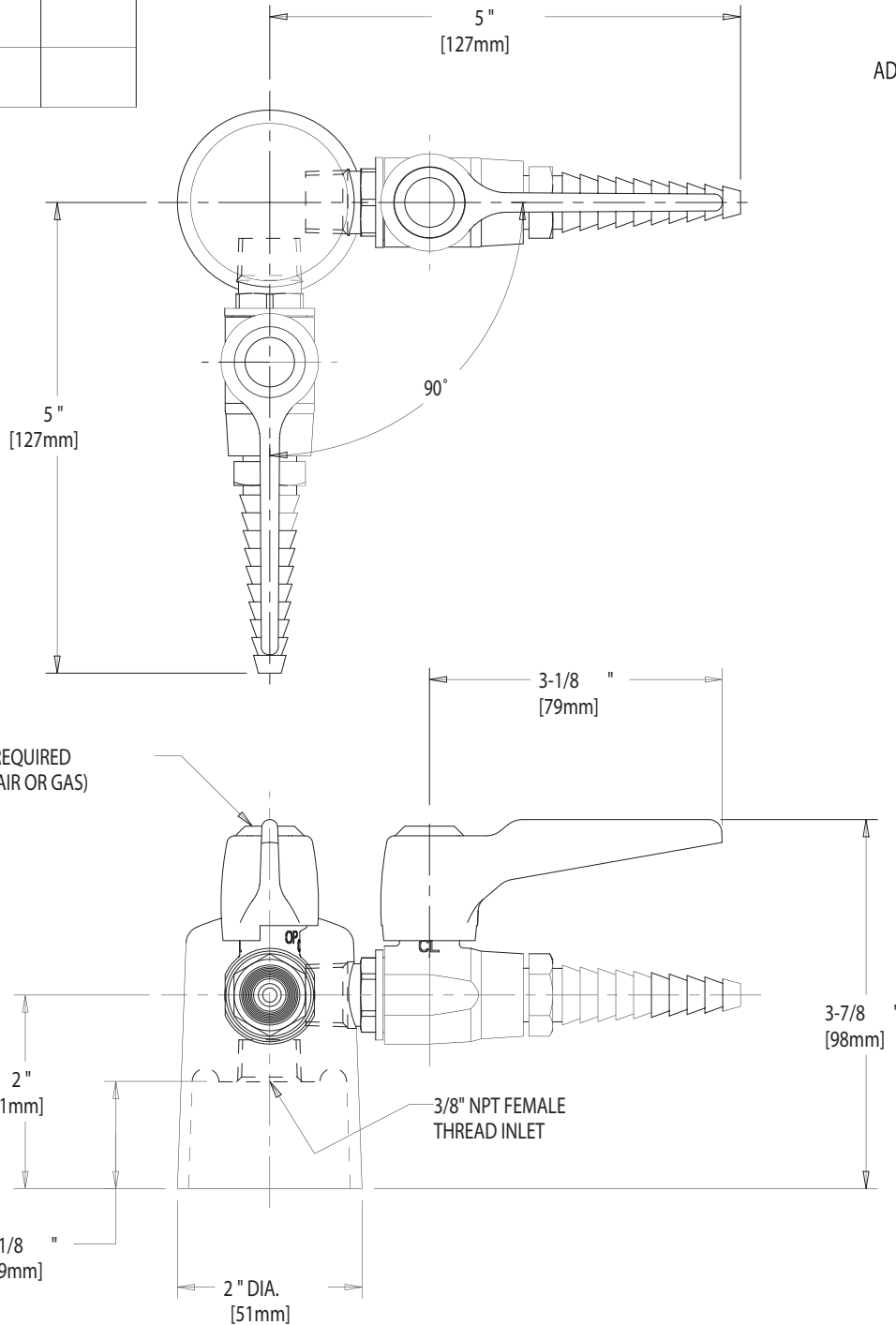
SUBMITTED AS SHOWN

SUBMITTED AS NOTED

SEE ATTACHED FOR  
SUBMITTED MODIFICATION



ADA COMPLIANT



IS ASSUMED FOR USE OF SUPERCEDED OR VOIDED DATA.

ROUGHING IN DIMENSIONS MAY VARY AND ARE SUBJECT TO CHANGE. NO RESPONSIBILITY

## TECHNICAL DATA

- TURRET WITH TWO BALL VALVES AT 90°
- E7TC REMOVABLE SERRATED HOSE NOZZLE WITH CHECK VALVE
- AIR AND GAS INDEX BUTTON
- 0.5-125 PSI MAXIMUM OPERATING PRESSURE
- FINISH: CHROME PLATE

- ANSI Z21.15A  
- CGA 9.1M

DATE: 12-14-04

BY: JAR

CHK'D:

APP'D:

REV: B

982-909CAG