

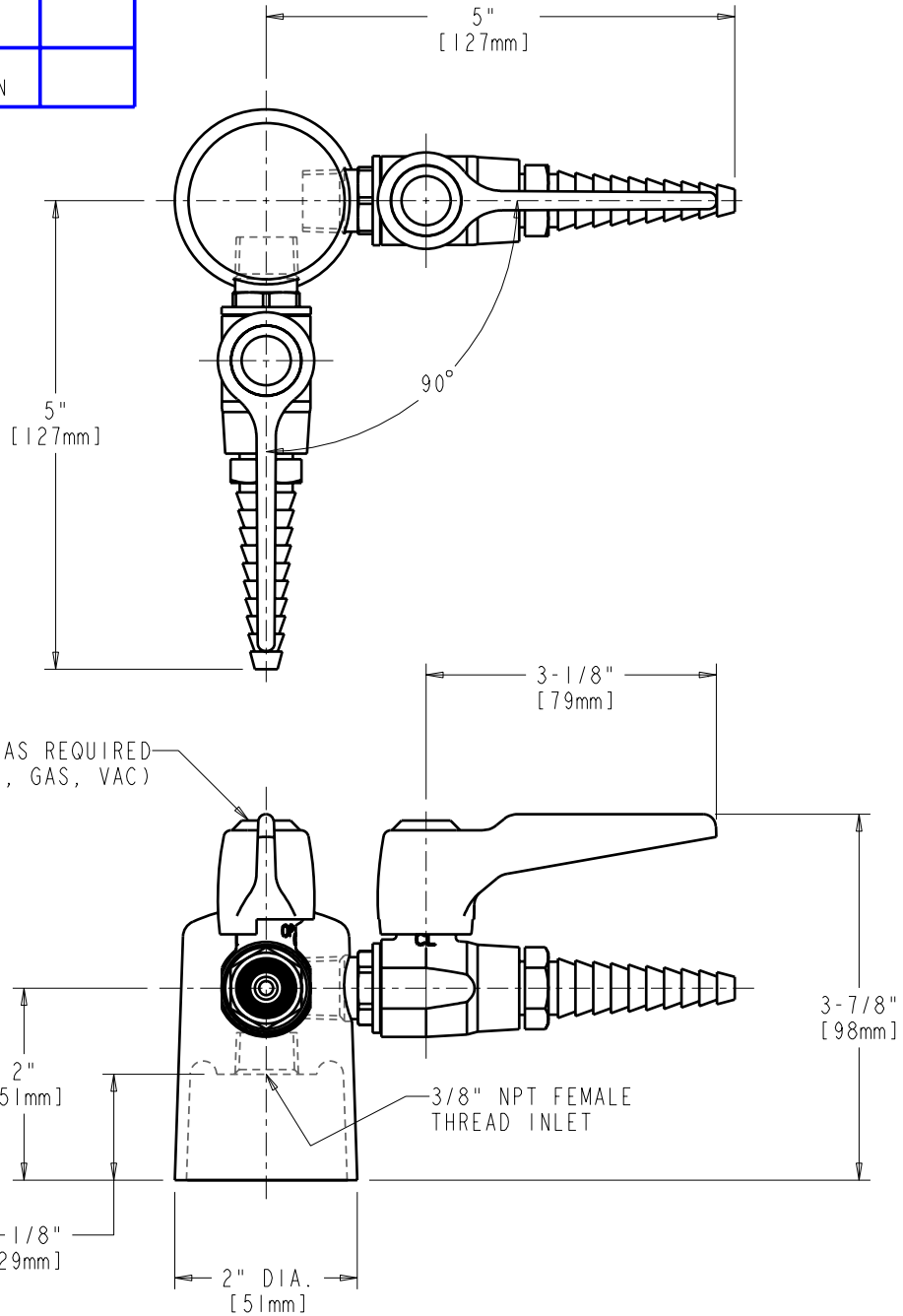
JOB NAME

ITEM NO.

SUBMITTED AS SHOWN

SUBMITTED AS NOTED

SEE ATTACHED FOR
 SUBMITTED MODIFICATION



TECHNICAL DATA

- TURRET WITH TWO BALL VALVES AT 90°
- E7T REMOVABLE SERRATED HOSE NOZZLE
- AIR, GAS AND VACUUM BUTTONS
- 0.5-125 PSI MAXIMUM OPERATING PRESSURE
- FINISH: CHROME PLATE

- ANSI Z21.15A
 - CGA9.1M

DATE: 5-21-02

BY: JAR

CHK'D:

APP'D:

REV: A

982-909AGV

ROUGHING IN DIMENSIONS MAY VARY AND ARE SUBJECT TO CHANGE. NO RESPONSIBILITY IS ASSUMED FOR USE OF SUPERCEDED OR VOIDED DATA.