

ROUGHING IN DIMENSIONS MAY VARY AND ARE SUBJECT TO CHANGE. NO RESPONSIBILITY IS ASSUMED FOR USE OF SUPERCEDED OR VOIDED DATA.



2100 South Clearwater Drive  
Des Plaines, IL 60018  
Phone: 847-803-5000  
Fax: 847-803-5454  
www.chicagofaucets.com

# ROUGH-IN

FITTING NO.

**980-WS909AGVCP**

BY: SID      DATE: 05-03-01  
CHK: *[Signature]*      REV: 10-13-08

SUBMITTED MODEL NO.

**FOR TECHNICAL ASSISTANCE**  
**1-800-TEC-TRUE (1-800-832-8783)**

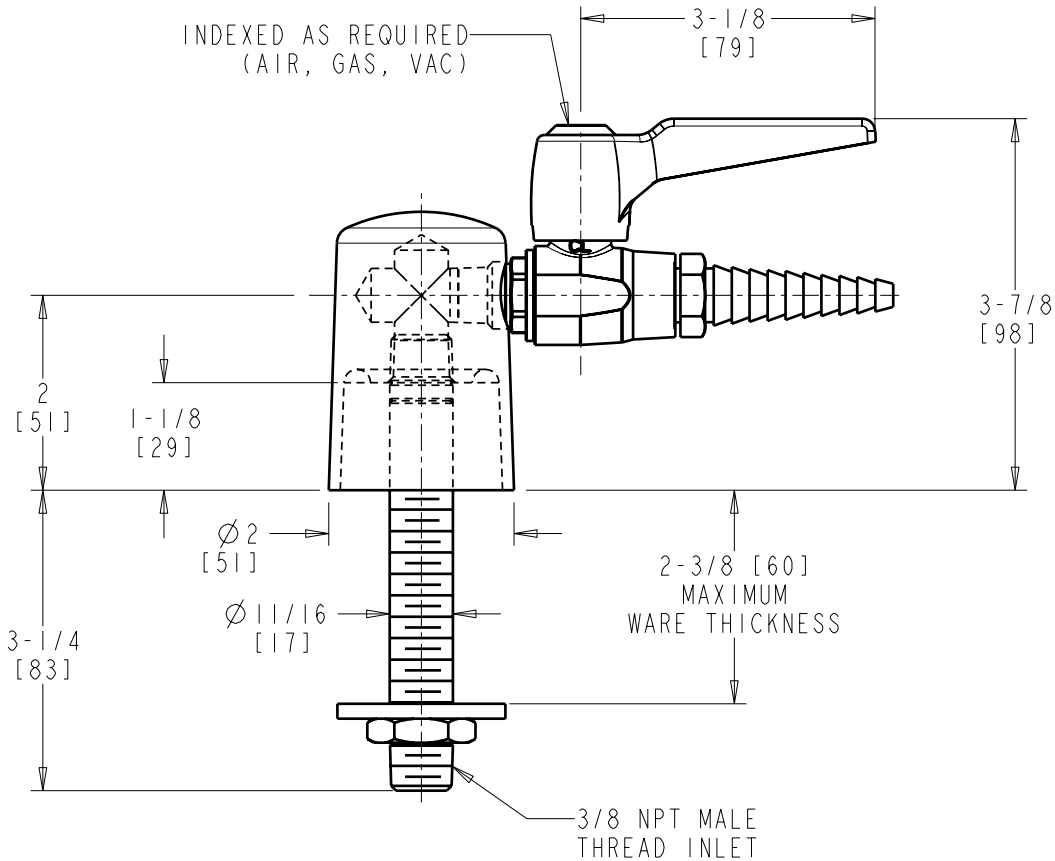
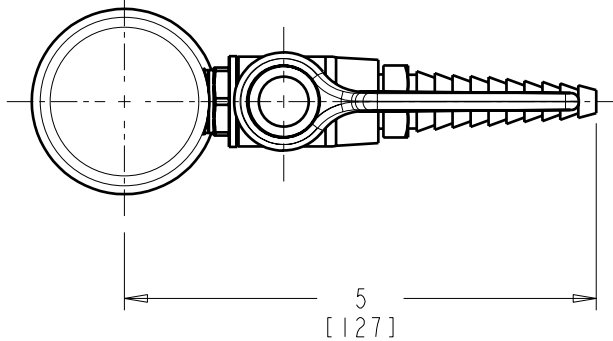
SUBMITTED AS SHOWN

SUBMITTED AS NOTED

SEE ATTACHED FOR  
SUBMITTED MODIFICATION

JOB NAME

ITEM NO.



DIMENSIONS ARE IN INCHES AND [MILLIMETERS].

**TECHNICAL DATA**

- TURRET WITH SINGLE BALL VALVE
- 909 GAS BALL VALVE
- LEVER HANDLE WITH INDEX BUTTON (SPECIFIED INDEX)
- 957-003K INLET SHANK ASSEMBLY
- FINISH CHROME PLATE

- E7T REMOVABLE SERRATED NOZZLE OUTLET
- 0.5-125 PSI MAXIMUM OPERATING PRESSURE
- ANSI Z21.15/CGA 9.1 COMPLIANT



ADA COMPLIANT