



2100 SOUTH CLEARWATER DRIVE
DES PLAINES, ILLINOIS 60018-5999

FITTING NO.

980

SUBMITTED MODEL NO.

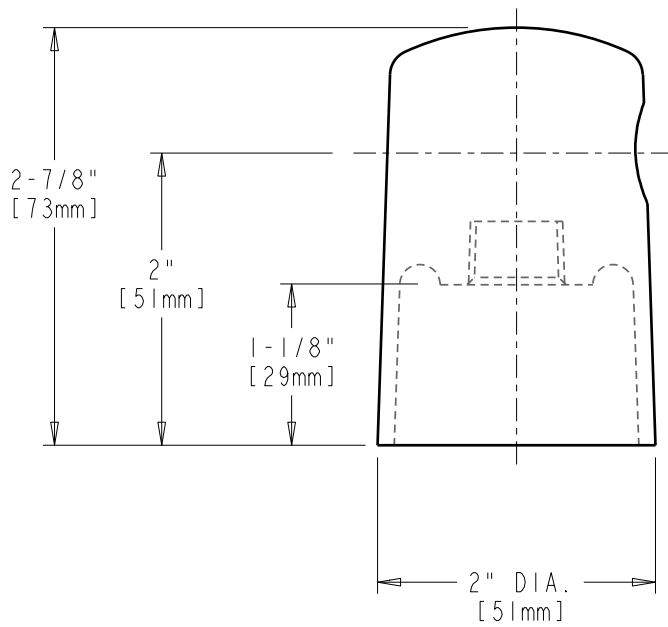
JOB NAME

ITEM NO.

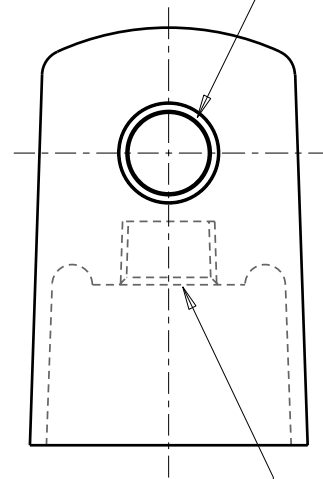
SUBMITTED AS SHOWN

SUBMITTED AS NOTED

SEE ATTACHED FOR
SUBMITTED MODIFICATION



3/8" NPT FEMALE
THREAD OUTLET



3/8" NPT FEMALE
THREAD INLET

TECHNICAL DATA

- TURRET WITH SINGLE OUTLET
- FINISH: CHROME PLATE

DATE: 5-22-02

BY: JAR

CHK'D:

APP'D:

REV: A

980

ROUGHING IN DIMENSIONS MAY VARY AND ARE SUBJECT TO CHANGE. NO RESPONSIBILITY IS ASSUMED FOR USE OF SUPERCEDED OR VOIDED DATA.