

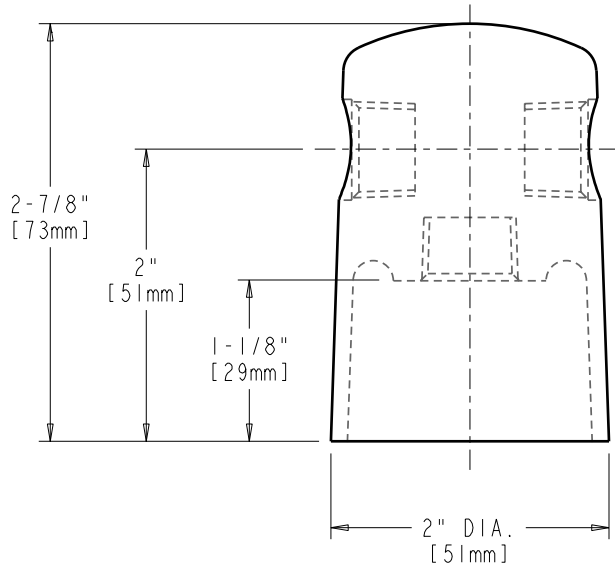
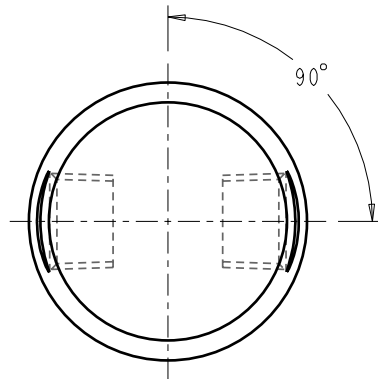
JOB NAME

ITEM NO.

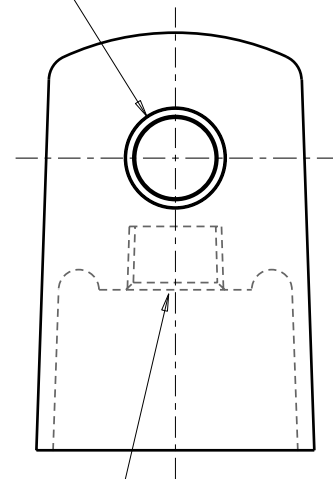
SUBMITTED AS SHOWN

SUBMITTED AS NOTED

SEE ATTACHED FOR
SUBMITTED MODIFICATION



3/8" NPT FEMALE
THREAD OUTLET
(2 PLACES)



3/8" NPT FEMALE
THREAD INLET

TECHNICAL DATA

- TURRET WITH TWO OUTLETS AT 180
- FINISH: CHROME PLATE

DATE: 5-21-02

BY: JAR

CHK'D:

APP'D:

REV: A

981