

ROUGHING IN DIMENSIONS MAY VARY AND ARE SUBJECT TO CHANGE. NO RESPONSIBILITY IS ASSUMED FOR USE OF SUPERCEDED OR VOIDED DATA. (0192-1)



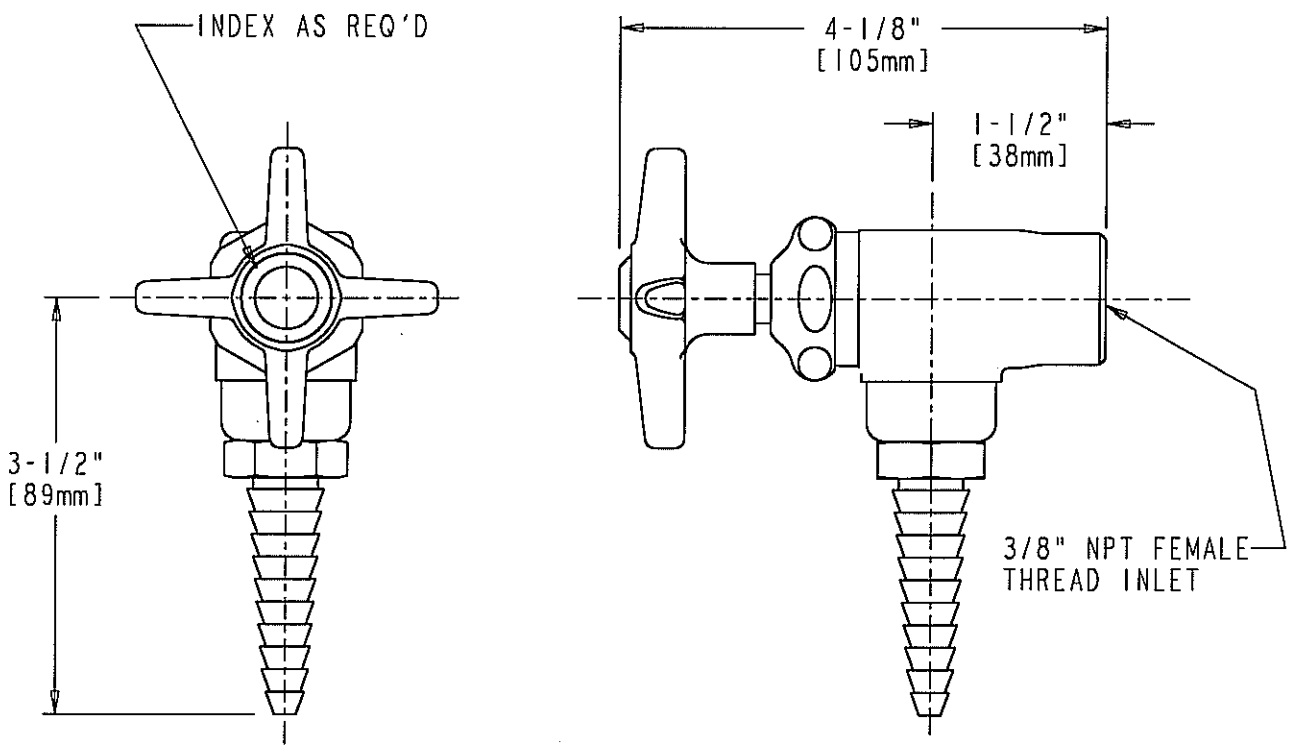
2100 SOUTH CLEARWATER DRIVE
DES PLAINES, ILLINOIS 60018-5999

FITTING NO.
954
SUBMITTED MODEL NO.

JOB NAME

ITEM NO.

SUBMITTED AS SHOWN	
SUBMITTED AS NOTED	
SEE ATTACHED FOR SUBMITTED MODIFICATION	



DIMENSIONS IN INCHES AND [MILLIMETERS].

TECHNICAL DATA

- SINGLE ANGLE VALVE LABORATORY FITTING
- 204 INDEXED 4-ARM HANDLE
- SLO-COMPRESSION UNIT
- POLISHED CHROME FINISH OR AS SPECIFIED
- E7T LAB NOZZLE OUTLET
- ANSI A112.18.1 COMPLIANT
- CSA B125 COMPLIANT

DATE: 05-27-97
 BY: MGM
 CHK'D: *AT*
 APP'D:
 REV: 05-27-97

954