

CHICAGO FAUCETS
a Geberit company

2100 South Clearwater Drive
Des Plaines, IL 60018
Phone: 847-803-5000
Fax: 847-803-5454
www.chicagofaucets.com

REPAIR PARTS

FITTING NO.

969-CTF

SUBMITTED MODEL NO.

ITEM NO.

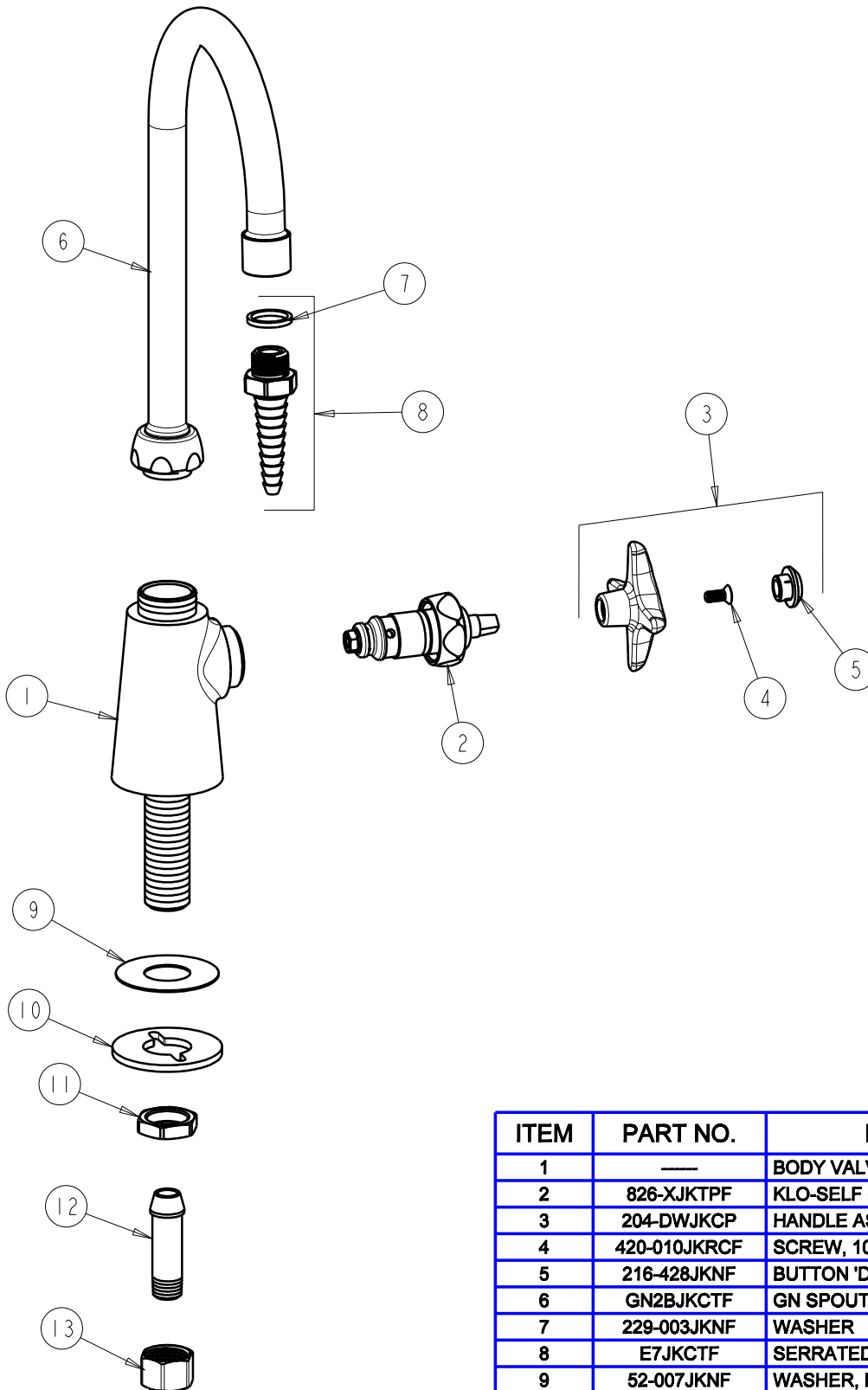
BY: SID

DATE: 04-11-02

CHK: *[Signature]*

REV: 09-02-10

FOR TECHNICAL ASSISTANCE
1-800-TEC-TRUE (1-800-832-8783)



ITEM	PART NO.	DESCRIPTION
1	—	BODY VALVE (NOT SOLD SEPARATELY)
2	826-XJKTPF	KLO-SELF CARTRIDGE
3	204-DWJKCP	HANDLE ASSEMBLY
4	420-010JKRCF	SCREW, 10-32 UNC PH 1/2
5	216-428JKNF	BUTTON 'DW'
6	GN2BJKCTF	GN SPOUT B TYPE END
7	229-003JKNF	WASHER
8	E7JKCTF	SERRATED HOSE NOZZLE
9	52-007JKNF	WASHER, RUBBER
10	807-112JKNF	WASHER
11	49-004JKRBF	LOCKNUT
12	49-006JKTPF	TAILPIECE
13	49-005JKRBF	COUPLING NUT