

CHICAGO FAUCETS

2100 SOUTH CLEARWATER DRIVE
DES PLAINES, ILLINOIS 60018-5999

Last As Long As The Building

FITTING NO.

956

SUBMITTED MODEL NO.

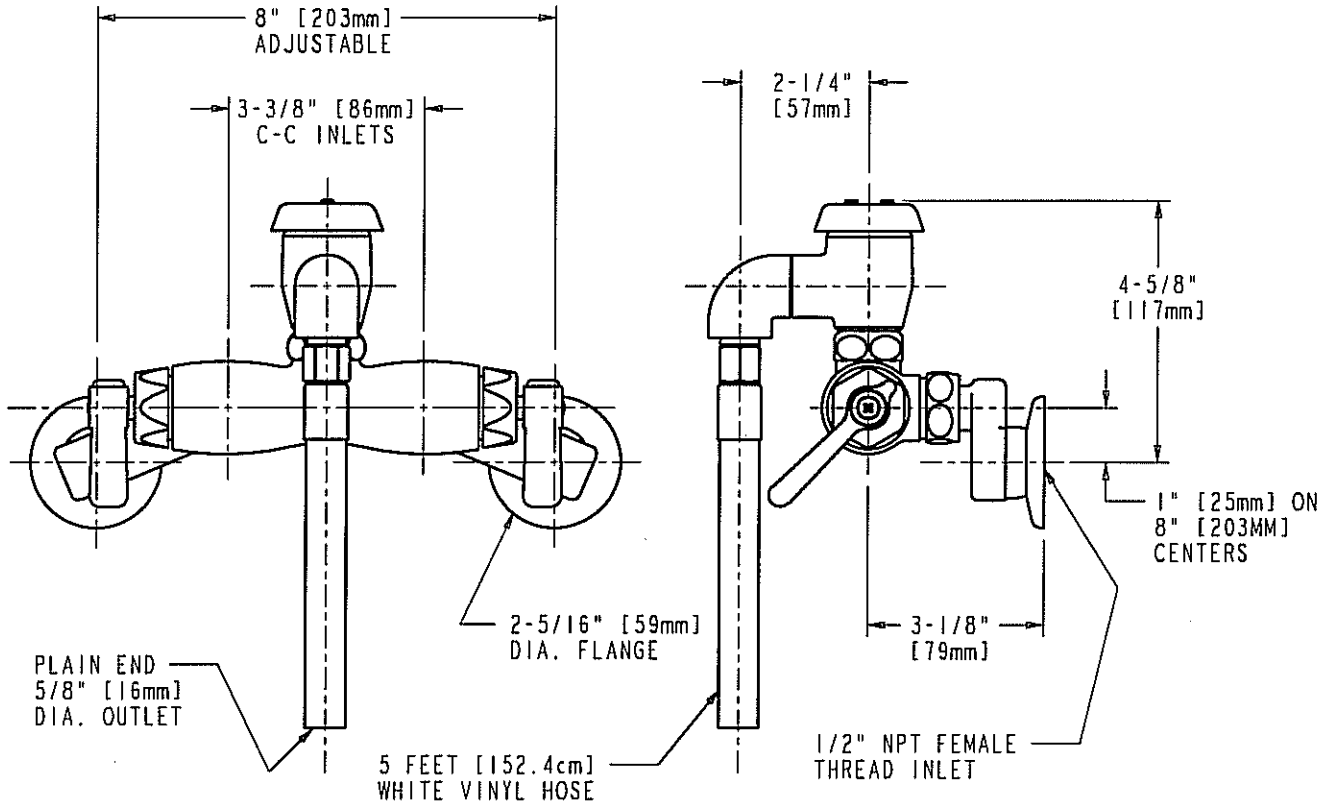
JOB NAME

ITEM NO.

SUBMITTED AS SHOWN

SUBMITTED AS NOTED

SEE ATTACHED FOR
SUBMITTED MODIFICATION



DIMENSIONS IN INCHES AND [MILLIMETERS].

TECHNICAL DATA

- WALL MOUNTED SERVICE SINK FITTING
- 893 ATMOSPHERIC VACUUM BREAKER
- 369 INDEXED LEVER HANDLES
- QUATURN OPERATING CARTRIDGES
- ADJUSTABLE "H" SUPPLY ARMS
- FINISH: CHROME PLATE
- 5 FEET [152.4cm] WHITE VINYL HOSE
- ASME A112.18.1M COMPLIANT
- CSA B125 COMPLIANT

DATE: 12-16-02

BY: JAR

CHK'D: *SS*

APP'D:

REV: A

956

ROUGHING IN DIMENSIONS MAY VARY AND ARE SUBJECT TO CHANGE. NO RESPONSIBILITY IS ASSUMED FOR USE OF SUPERCEDED OR VOIDED DATA.