



a Geberit company

2100 South Clearwater Drive  
Des Plaines, IL 60018  
Phone: 847-803-5000  
Fax: 847-803-5454  
www.chicagofaucets.com

# ROUGH-IN

FITTING NO.

952-XKCP

SUBMITTED MODEL NO.

BY: SID

DATE: 01-09-08

CHK: *[Signature]*

REV:

**FOR TECHNICAL ASSISTANCE**  
1-800-TEC-TRUE (1-800-832-8783)

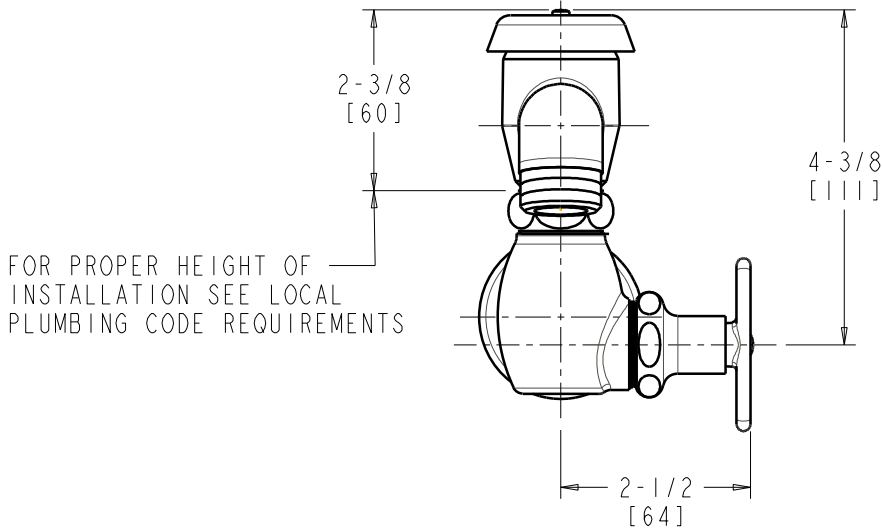
SUBMITTED AS SHOWN

SUBMITTED AS NOTED

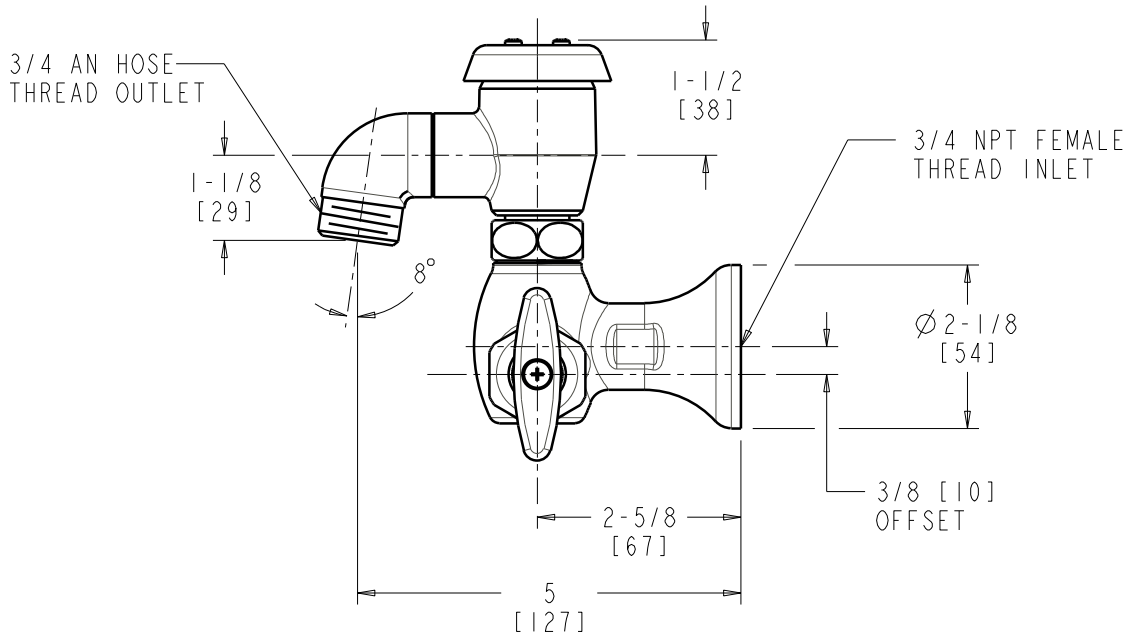
SEE ATTACHED FOR  
SUBMITTED MODIFICATION

JOB NAME

ITEM NO.



**FRONT VIEW**



**SIDE VIEW**

DIMENSIONS ARE IN INCHES AND [MILLIMETERS].

**TECHNICAL DATA**

- INSIDE SILL FITTING
- VACUUM BREAKER SPOUT
- 3/4 MALE HOSE THREAD OUTLET
- 293-006 LOOSE KEY TEE HANDLE
- CERAMIC DISC OPERATING CARTRIDGE
- FINISH: CHROME PLATE

- ASME A112.18.1/CSA B125.1 COMPLIANT
- ASSE 1001 COMPLIANT

ROUGHING IN DIMENSIONS MAY VARY AND ARE SUBJECT TO CHANGE. NO RESPONSIBILITY IS ASSUMED FOR USE OF SUPERCEDED OR VOIDED DATA.