

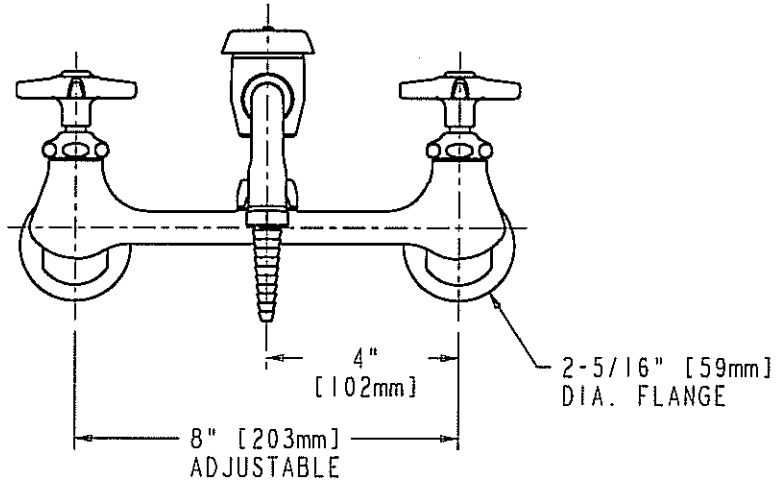
JOB NAME

ITEM NO.

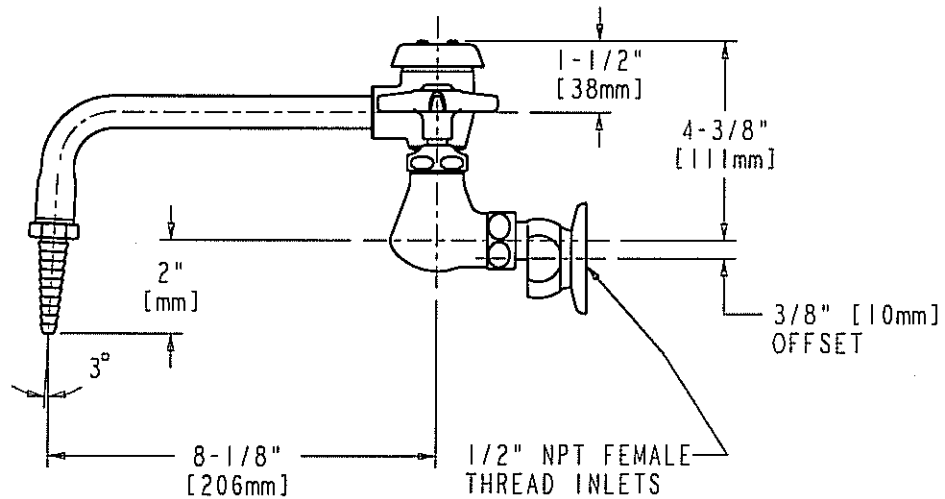
SUBMITTED AS SHOWN

SUBMITTED AS NOTED

SEE ATTACHED FOR  
SUBMITTED MODIFICATION



FRONT VIEW



SIDE VIEW

DIMENSIONS IN INCHES AND [MILLIMETERS].

TECHNICAL DATA

- WALL MOUNTED LABORATORY FITTING
- LBBVB SWING VACUUM BREAKER SPOUT
- 204 INDEXED 4-ARM HANDLES
- SLO-COMPRESSION CARTRIDGES
- FINISH: CHROME PLATE

- 'G' ADJUSTABLE SUPPLY ARMS
- E7 LAB NOZZLE OUTLET
- ASME A112.18.1M COMPLIANT
- CSA B125 COMPLIANT

DATE: 09-21-04

BY: JAR

CHK'D: *JAR*

APP'D: *JAR*

REV: A

940-VBE7

ROUGHING IN DIMENSIONS MAY VARY AND ARE SUBJECT TO CHANGE. NO RESPONSIBILITY IS ASSUMED FOR USE OF SUPERCEDED OR VOIDED DATA.