



a Geberit company

2100 South Clearwater Drive  
Des Plaines, IL 60018  
Phone: 847-803-5000  
Fax: 847-803-5454  
www.chicagofaucets.com

# ROUGH-IN

FITTING NO.

938-WSCP

BY: SID

DATE: 11-01-07

SUBMITTED MODEL NO.

CHK: *[Signature]*

REV:

**FOR TECHNICAL ASSISTANCE**  
1-800-TEC-TRUE (1-800-832-8783)

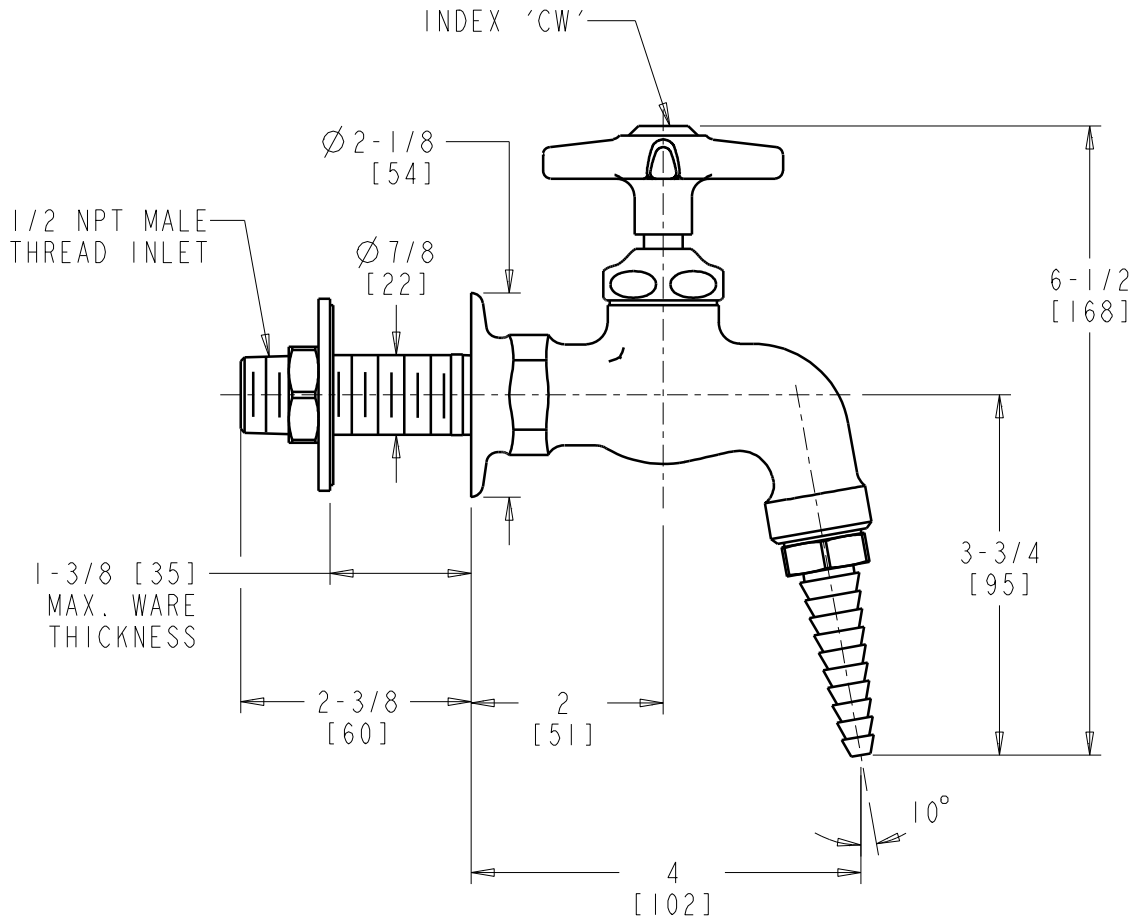
SUBMITTED AS SHOWN

SUBMITTED AS NOTED

SEE ATTACHED FOR  
SUBMITTED MODIFICATION

JOB NAME

ITEM NO.



DIMENSIONS ARE IN INCHES AND [MILLIMETERS].

### TECHNICAL DATA

- LABORATORY SINK FITTING
- 204 INDEXED 4-ARM HANDLE
- SLO-COMPRESSION OPERATING CARTRIDGE
- 932-001K INLET SHANK ASSEMBLY
- FINISH: CHROME PLATE
- E7 REMOVABLE SERRATED NOZZLE OUTLET
- ASME A112.18.1/CSA B125.1 COMPLIANT

ROUGHING IN DIMENSIONS MAY VARY AND ARE SUBJECT TO CHANGE. NO RESPONSIBILITY IS ASSUMED FOR USE OF SUPERCEDED OR VOIDED DATA.