

CHICAGO FAUCETS



2100 SOUTH CLEARWATER DRIVE
DES PLAINES, ILLINOIS 60018-5999

Last As Long As The Building

FITTING NO.

945

SUBMITTED MODEL NO.

JOB NAME

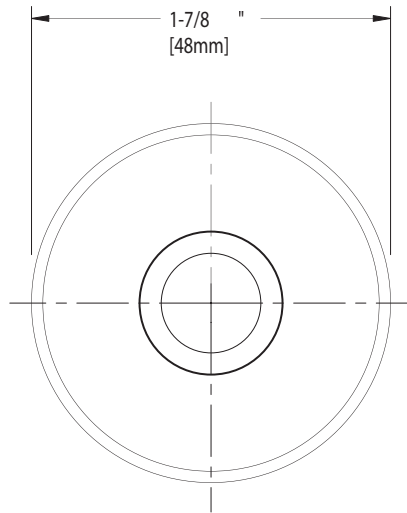
ITEM NO.

SUBMITTED AS SHOWN

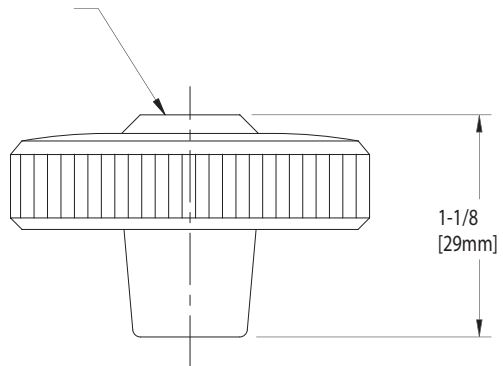
SUBMITTED AS NOTED

SEE ATTACHED FOR
SUBMITTED MODIFICATION

IS ASSUMED FOR USE OF SUPERCEDED OR VOIDED DATA.



INDEX AS REQUIRED



DIMENSIONS IN INCHES AND [MILLIMETERS].

TECHNICAL DATA

- WHEEL HANDLE
- 1-7/8" DIAMETER
- ALL METAL CONSTRUCTION

DATE: 2-5-03

BY: JAR

CHK'D:

APP'D:

REV: A

945