

# CHICAGO FAUCETS

Last As Long As The Building

2100 SOUTH CLEARWATER DRIVE  
DES PLAINES, ILLINOIS 60018-5999

FITTING NO.

929-369

SUBMITTED MODEL NO.

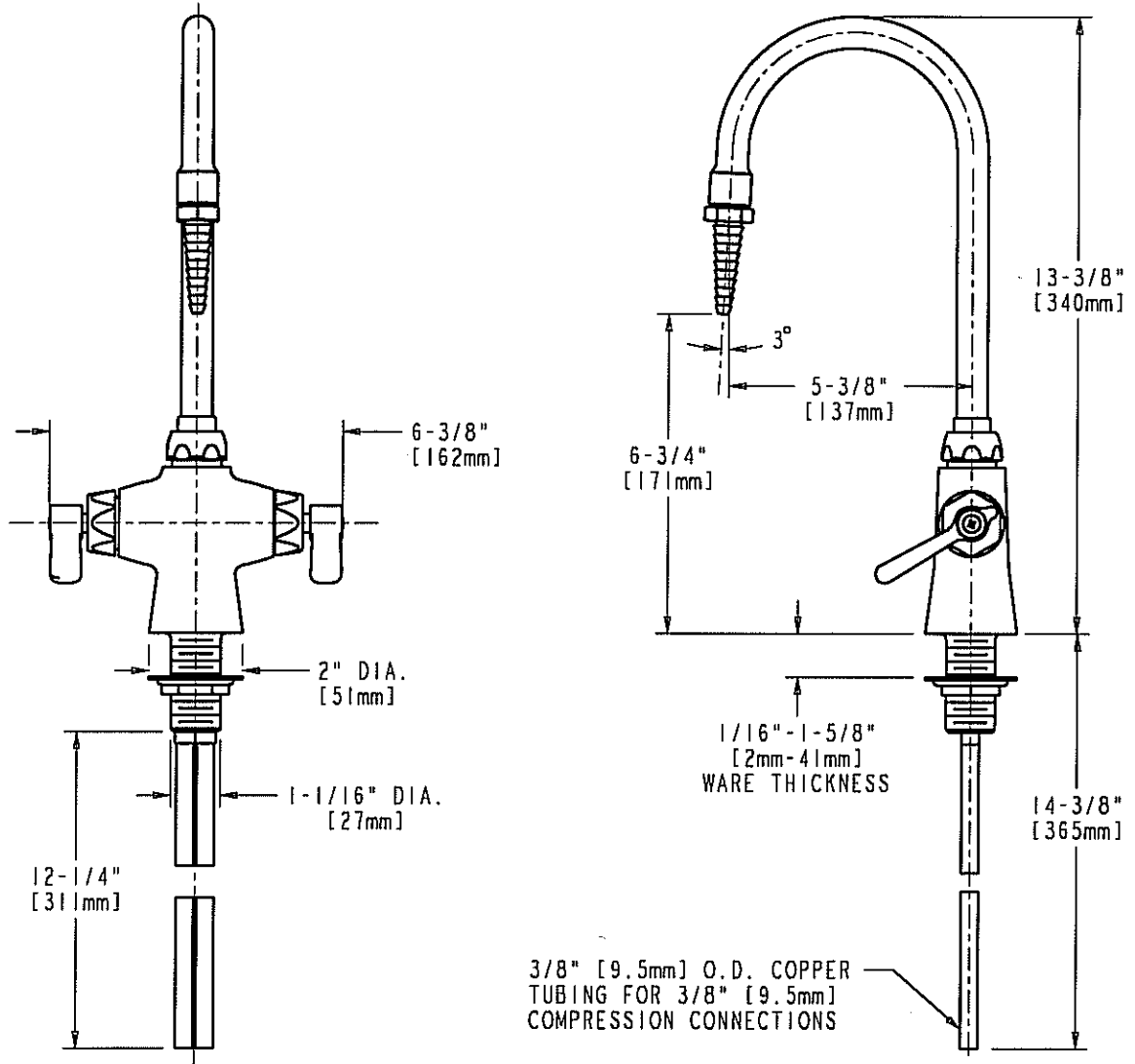
JOB NAME

ITEM NO.

SUBMITTED AS SHOWN

SUBMITTED AS NOTED

SEE ATTACHED FOR  
SUBMITTED MODIFICATION



DIMENSIONS IN INCHES AND [MILLIMETERS].

TECHNICAL DATA

- DECK MOUNTED HOT AND COLD WATER FITTING
- GN2B RIGID/SWING GOOSENECK SPOUT
- 369 INDEXED LEVER HANDLES
- SLOW COMPRESSION CARTRIDGE
- FINISH: CHROME PLATE

- 3/8" [9.5mm] COPPER SUPPLY TUBES
- E7 REMOVABLE SERRATED HOSE NOZZLE
- ASME A112.18.1M COMPLIANT
- CSA B125 COMPLIANT

DATE: 04-01-03

BY: SID

CHK'D: *AT*

APP'D:

REV: A

929-369

ROUGHING IN DIMENSIONS MAY VARY AND ARE SUBJECT TO CHANGE. NO RESPONSIBILITY IS ASSUMED FOR USE OF SUPERCEDED OR VOIDED DATA.