

# CHICAGO<sup>®</sup> FAUCETS

2100 SOUTH CLEARWATER DRIVE  
DES PLAINES, ILLINOIS 60018-5999

FITTING NO.

928-205

SUBMITTED MODEL NO.

JOB NAME

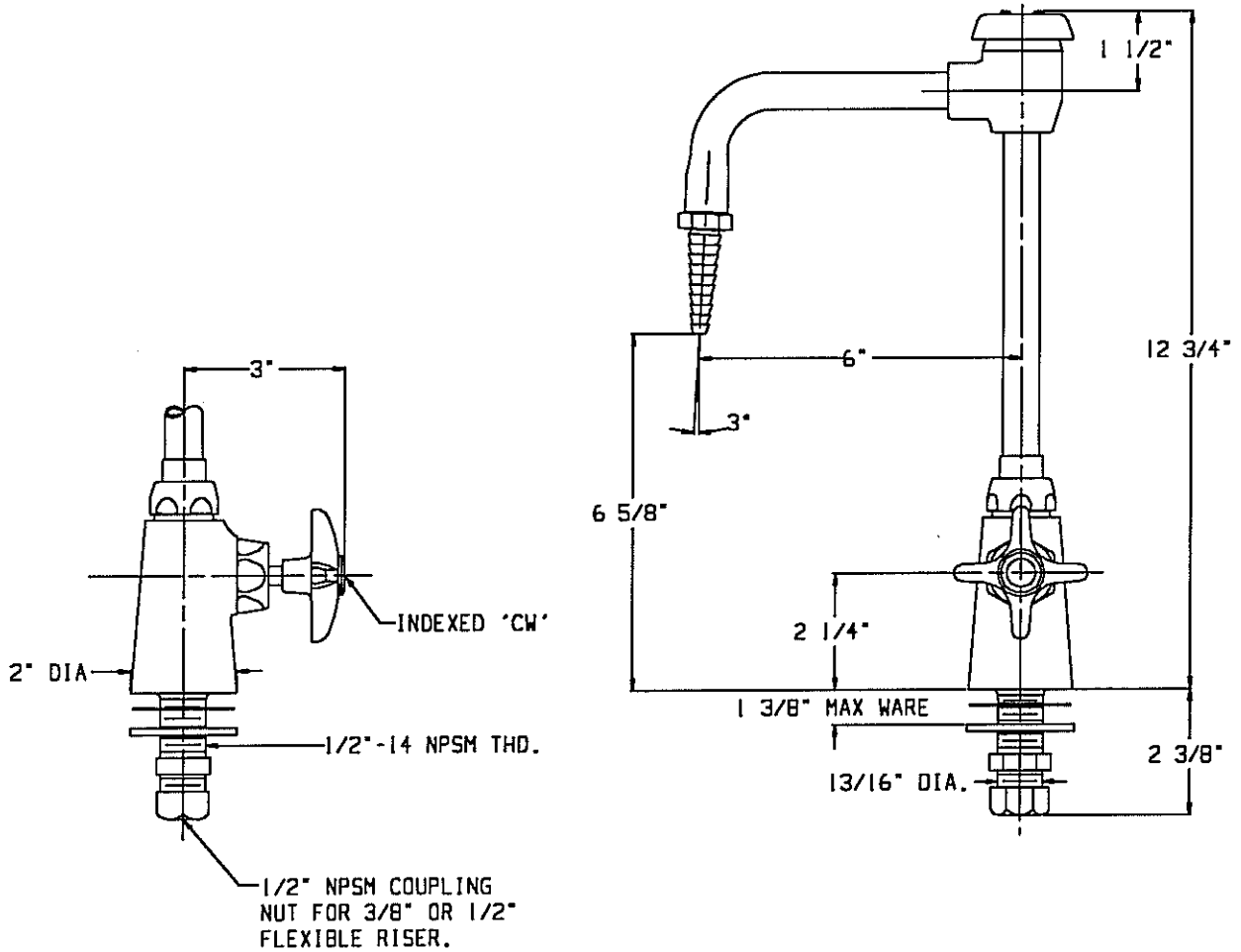
ITEM NO.

SUBMITTED AS SHOWN

SUBMITTED AS NOTED

SEE ATTACHED FOR  
SUBMITTED MODIFICATION

ROUGHING IN DIMENSIONS MAY VARY AND ARE SUBJECT TO CHANGE. NO RESPONSIBILITY IS ASSUMED FOR USE OF SUPERCEDED OR VOIDED DATA. (0192-1)



TECHNICAL DATA

- DECK MOUNTED SINGLE LABORATORY FAUCET
- GN2BVB RIGID/SWING CONVERSION SPOUT
- 205 INDEXED 4-ARM HANDLE
- SLO.-COMP. CARTRIDGE
- CHROME PLATED OR FINISH AS SPECIFIED

- E7 LAB NOZZLE OUTLET
- ANSI A112.18.1
- CSA B125

DATE: 9-18-96

BY: TSW

CHK'D: *PT*

APP'D:

REV:

928-205