

CHICAGO[®] FAUCETS

2100 SOUTH CLEARWATER DRIVE
DES PLAINES, ILLINOIS 60018-5999
847 803-5000

FITTING NO.

926

SUBMITTED MODEL NO.

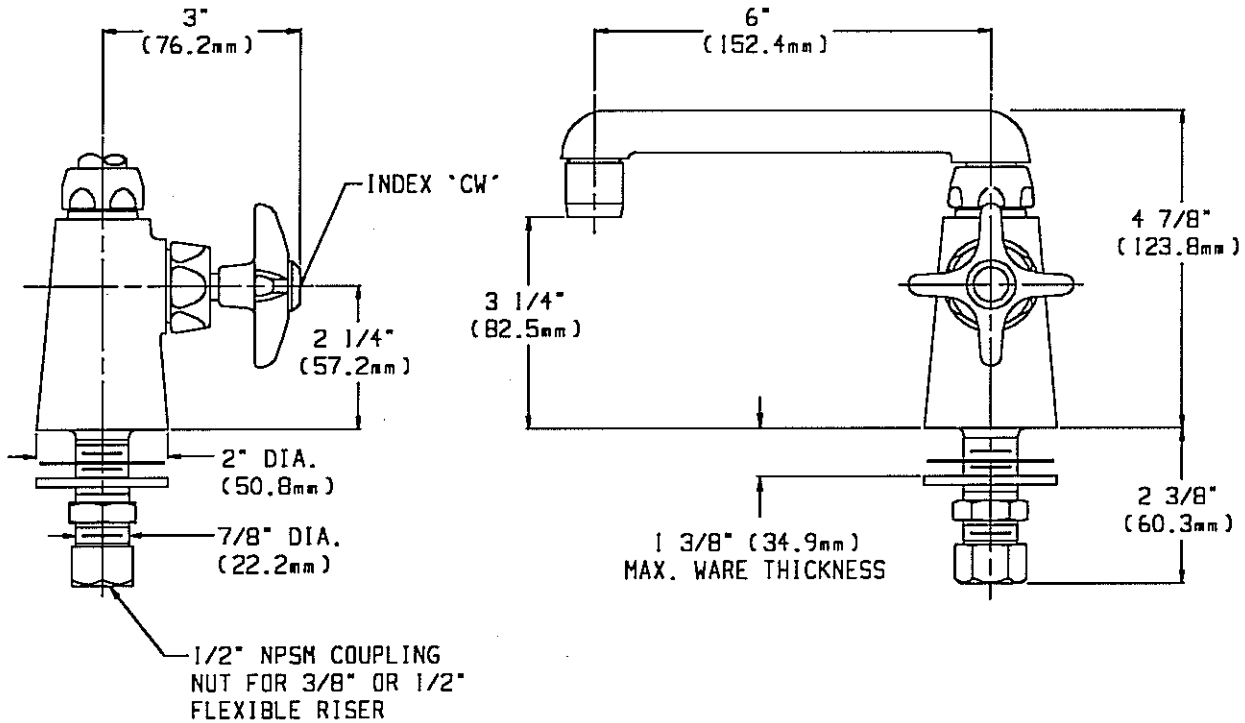
JOB NAME

ITEM NO.

SUBMITTED AS SHOWN

SUBMITTED AS NOTED

SEE ATTACHED FOR
SUBMITTED MODIFICATION



TECHNICAL DATA

- SINGLE DECK MOUNTED LABORATORY FITTING
- S6 SWING SPOUT
- 204 INDEXED 4-ARM HANDLE
- SLO-COMPRESSION UNIT
- POLISHED CHROME FINISH OR AS SPECIFIED

- E3 SOFTFLO OUTLET
- 2.0 GPM (7.6 L/min.) @ 80 PSI
- ANSI A112.18.1 COMPLIANT
- CSA B125 COMPLIANT

DATE: 11-12-96

BY: MGM

CHKD: *AT*

APP'D:

REV: 11-12-96

926

ROUGHING IN DIMENSIONS MAY VARY AND ARE SUBJECT TO CHANGE. NO RESPONSIBILITY IS ASSUMED FOR USE OF SUPERCEDED OR VOIDED DATA. (0192-1)