

ROUGHING IN DIMENSIONS MAY VARY AND ARE SUBJECT TO CHANGE. NO RESPONSIBILITY IS ASSUMED FOR USE OF SUPERCEDED OR VOIDED DATA. (0192-1)

CHICAGO FAUCETS®

Last As Long As The Building

2100 SOUTH CLEARWATER DRIVE
DES PLAINES, ILLINOIS 60018-5999

FITTING NO.

940

SUBMITTED MODEL NO.

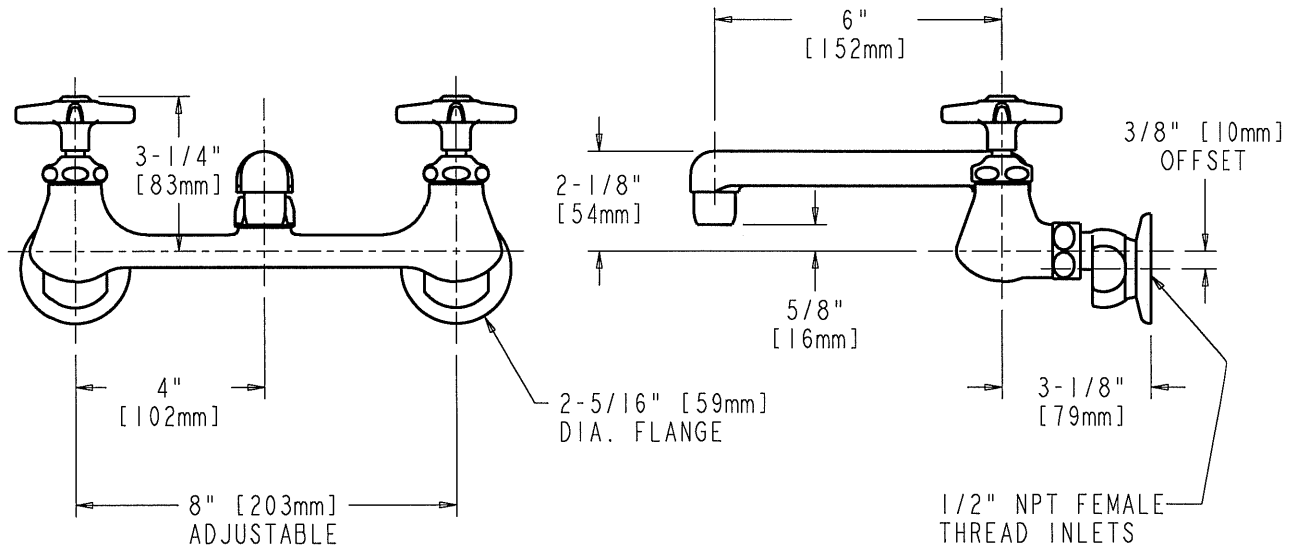
JOB NAME

ITEM NO.

SUBMITTED AS SHOWN

SUBMITTED AS NOTED

SEE ATTACHED FOR
SUBMITTED MODIFICATION



DIMENSIONS IN INCHES AND [MILLIMETERS].

TECHNICAL DATA

- WALL MOUNTED LABORATORY FITTING
- S6 CAST SWING SPOUT
- 204 INDEXED CROSS HANDLES
- SLOW COMPRESSION CARTRIDGES
- FINISH: CHROME PLATED

- 'G' ADJUSTABLE SUPPLY ARMS
- E3 SOFTFLO AERATOR
- 2.2 GPM [8.3 L/min.] FLOW RATE
- ASME A112.18.1M COMPLIANT
- CSA B125 COMPLIANT

DATE: 4-30-02

BY: JAR

CHK'D: *AT*

APP'D:

REV: A

940