



a Geberit company

2100 South Clearwater Drive  
Des Plaines, IL 60018  
Phone: 847-803-5000  
Fax: 847-803-5454  
www.chicagofaucets.com

# ROUGH-IN

FITTING NO.

937-STCP

SUBMITTED MODEL NO.

BY: JAR

DATE: 11-05-07

CHK: *JAR*

REV:

**FOR TECHNICAL ASSISTANCE**  
1-800-TEC-TRUE (1-800-832-8783)

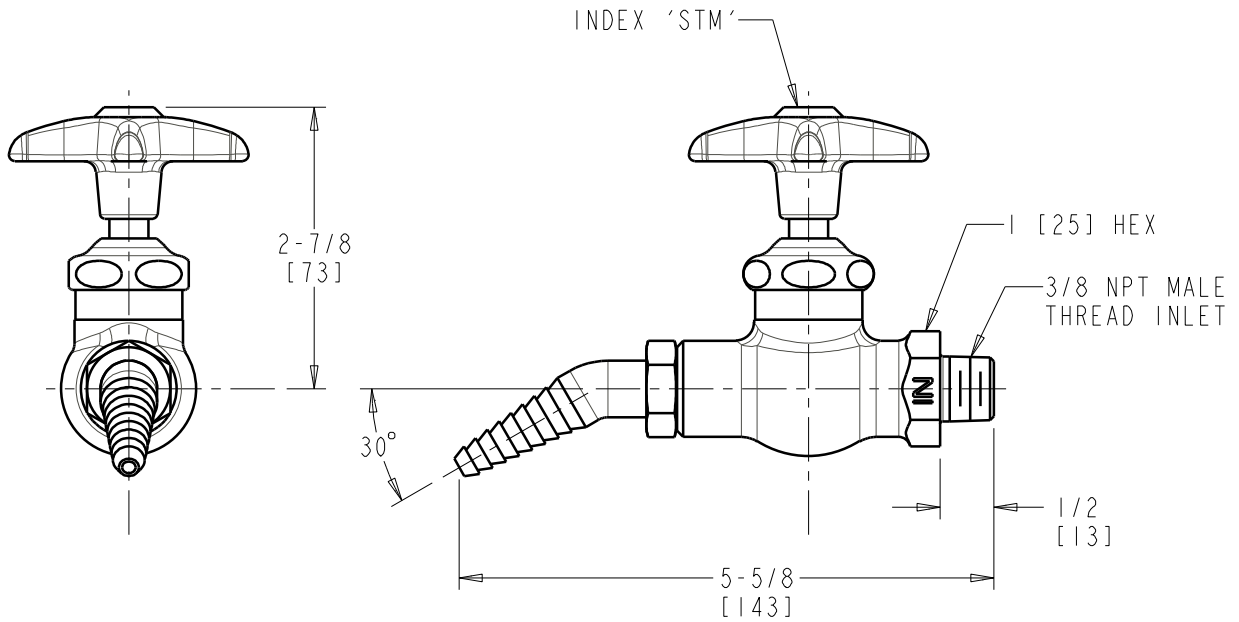
SUBMITTED AS SHOWN

SUBMITTED AS NOTED

SEE ATTACHED FOR  
SUBMITTED MODIFICATION

JOB NAME

ITEM NO.



DIMENSIONS ARE IN INCHES AND [MILLIMETERS].

## TECHNICAL DATA

- LABORATORY STEAM COCK
- 205 BLACK PLASTIC INDEXED 4-ARM HANDLE
- 937-XST SLO-COMPRESSION OPERATING CARTRIDGE
- FINISH: CHROME PLATE

- E7XT 30° REMOVABLE SERRATED NOZZLE OUTLET
- 15 PSI MAXIMUM OPERATING PRESSURE

ROUGHING IN DIMENSIONS MAY VARY AND ARE SUBJECT TO CHANGE. NO RESPONSIBILITY IS ASSUMED FOR USE OF SUPERCEDED OR VOIDED DATA.