



a Geberit company

2100 South Clearwater Drive  
Des Plaines, IL 60018  
Phone: 847-803-5000  
Fax: 847-803-5454  
www.chicagofaucets.com

# ROUGH-IN

BY: SID DATE: 01-14-09  
CHK: *[Signature]* REV:

FITTING NO.

**930-E3-2CP**

SUBMITTED MODEL NO.

**FOR TECHNICAL ASSISTANCE**  
1-800-TEC-TRUE (1-800-832-8783)

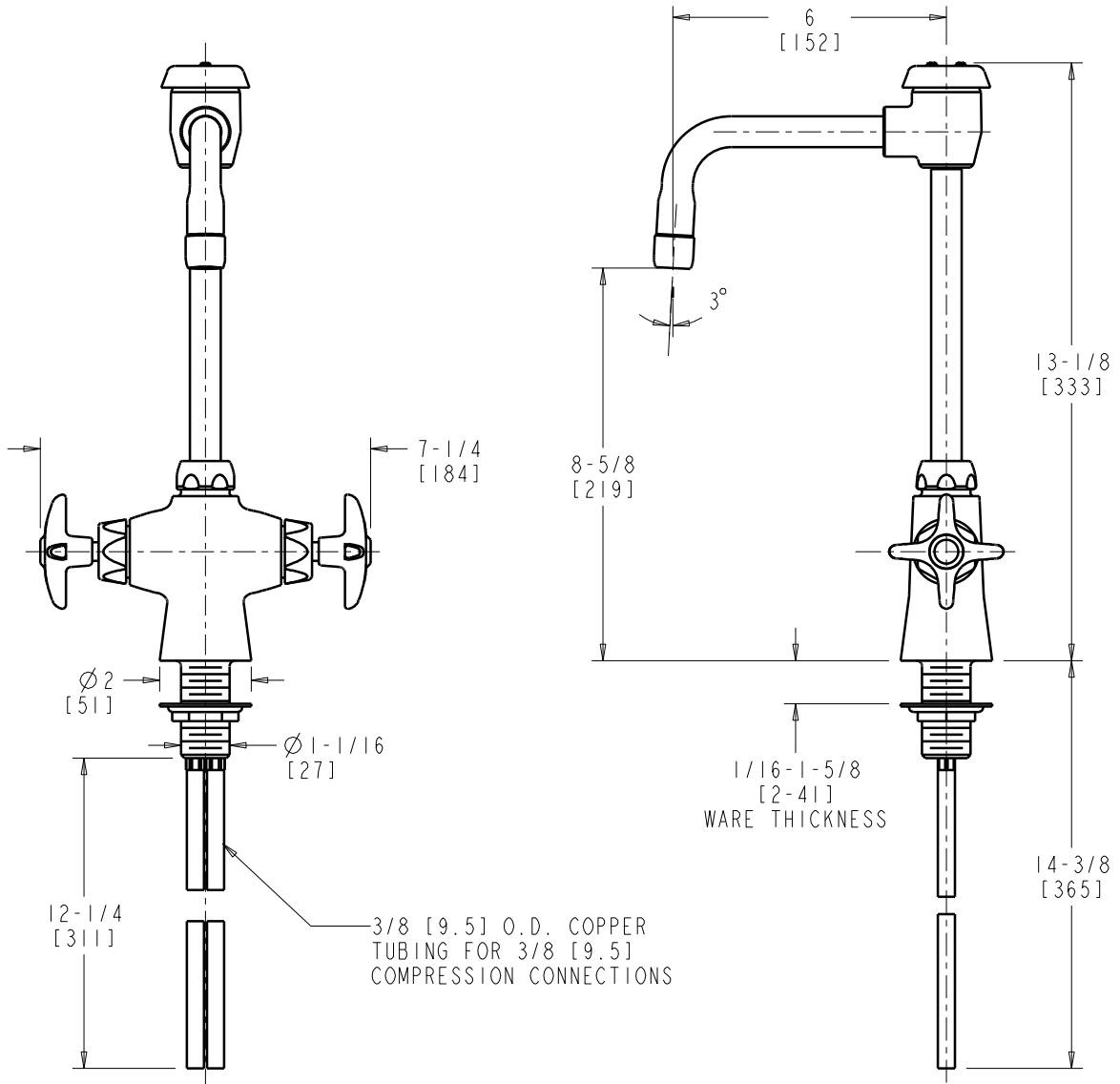
SUBMITTED AS SHOWN

SUBMITTED AS NOTED

SEE ATTACHED FOR  
SUBMITTED MODIFICATION

JOB NAME

ITEM NO.



DIMENSIONS ARE IN INCHES AND [MILLIMETERS].

## TECHNICAL DATA

- DECK MOUNTED COMBINATION LABORATORY FITTING
- GN2BVB RIGID/SWING VACUUM BREAKER SPOUT
- 204 INDEXED 4-ARM HANDLES
- SLO-COMPRESSION OPERATING CARTRIDGES
- FINISH: CHROME PLATE
- E3-2 SOFTFLO AERATOR WITH ADAPTER
- 2.2 GPM [8.3 L/min.] MAXIMUM FLOW RATE
- ASME A112.18.1/CSA B125.1 COMPLIANT
- NSF/ANSI 61 COMPLIANT
- ASSE 1001 COMPLIANT

ROUGHING IN DIMENSIONS MAY VARY AND ARE SUBJECT TO CHANGE. NO RESPONSIBILITY IS ASSUMED FOR USE OF SUPERCEDED OR VOIDED DATA.