

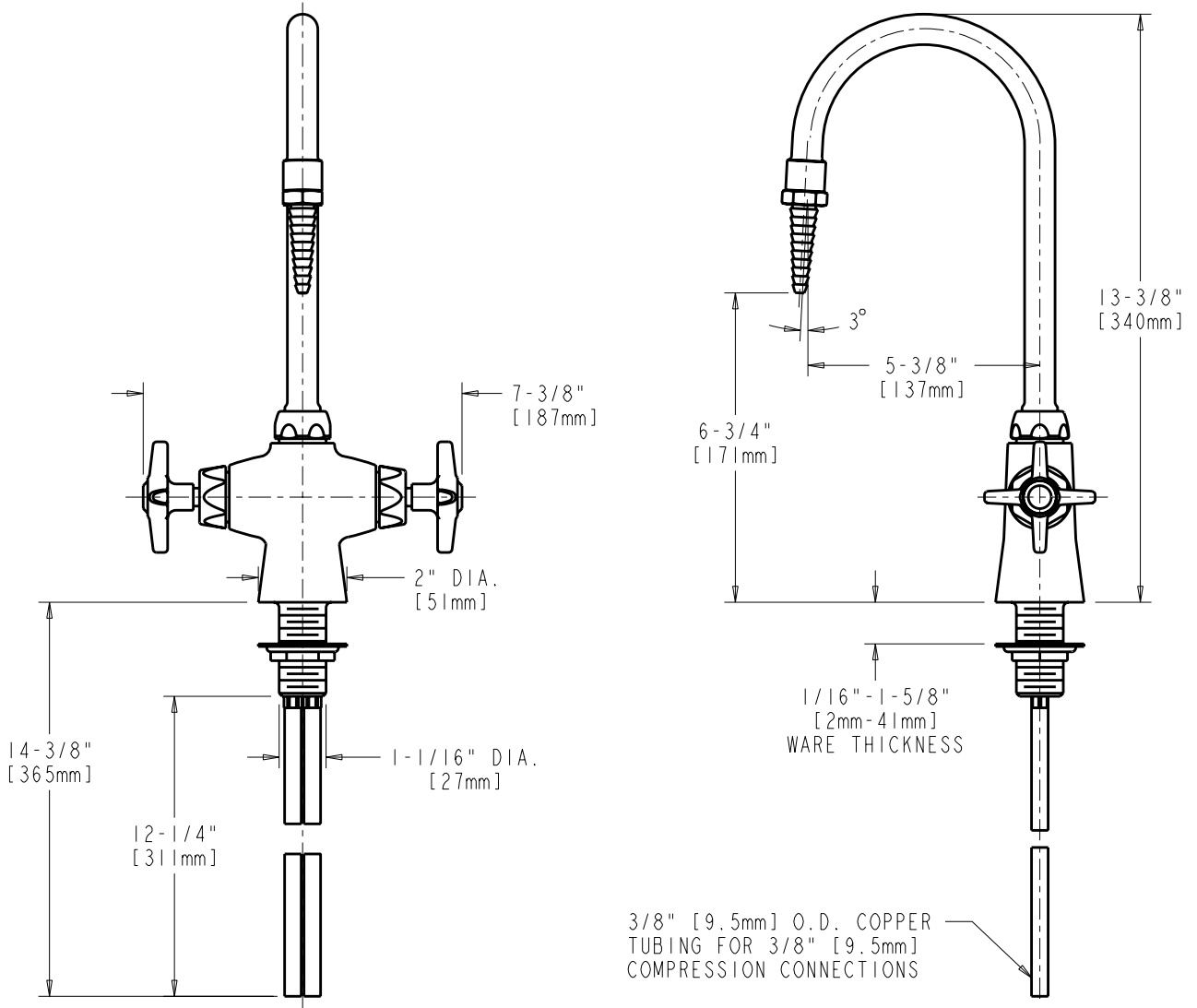
JOB NAME

ITEM NO.

SUBMITTED AS SHOWN

SUBMITTED AS NOTED

SEE ATTACHED FOR  
 SUBMITTED MODIFICATION



ROUGHING IN DIMENSIONS MAY VARY AND ARE SUBJECT TO CHANGE. NO RESPONSIBILITY IS ASSUMED FOR USE OF SUPERCEDED OR VOIDED DATA.

TECHNICAL DATA

- DECK MOUNTED HOT AND COLD WATER FITTING
- GN2B RIGID/SWING GOOSENECK SPOUT
- 204 CROSS HANDLES WITH HOT AND COLD WATER SERVICE BUTTONS
- CERAMIC DISC CARTRIDGES
- FINISH: CHROME PLATE

- E7 REMOVABLE SERRATED NOZZLE OUTLET
- ASME A112.18.1M COMPLIANT
- CSA B125 COMPLIANT

DATE: 11-17-05

BY: SID

CHK'D:

APP'D:

REV: 11-17-05

929-XK