



a Geberit company

2100 South Clearwater Drive
Des Plaines, IL 60018
Phone: 847-803-5000
Fax: 847-803-5454
www.chicagofaucets.com

ROUGH-IN

BY: SID DATE: 03-01-06
CHK: [Signature] REV: 07-13-09

FITTING NO.

928-VRE17-369CP

SUBMITTED MODEL NO.

FOR TECHNICAL ASSISTANCE
1-800-TEC-TRUE (1-800-832-8783)

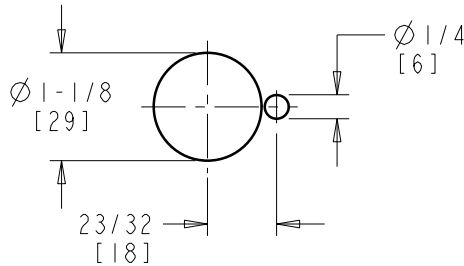
SUBMITTED AS SHOWN

SUBMITTED AS NOTED

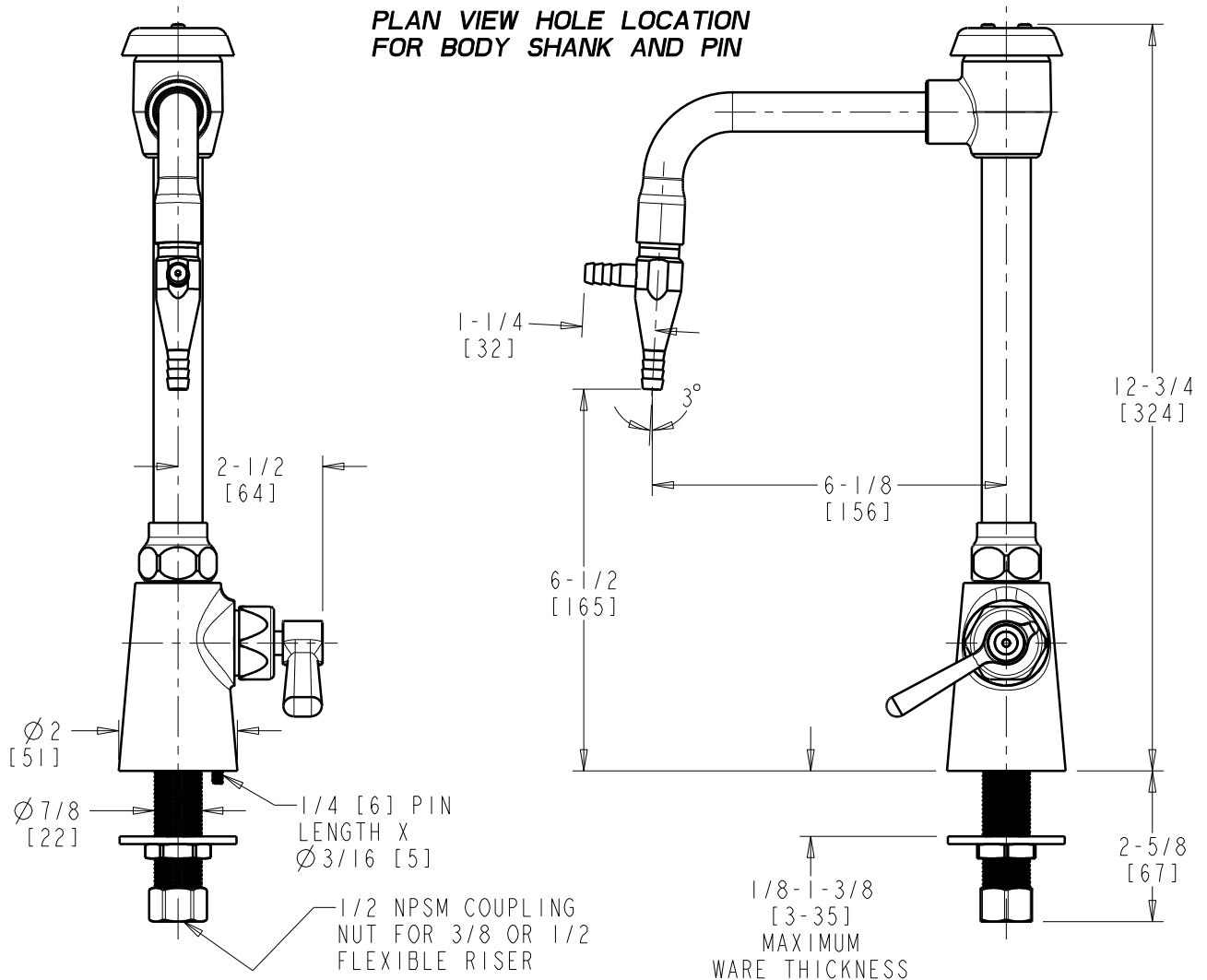
SEE ATTACHED FOR
SUBMITTED MODIFICATION

JOB NAME

ITEM NO.



**PLAN VIEW HOLE LOCATION
FOR BODY SHANK AND PIN**



DIMENSIONS ARE IN INCHES AND [MILLIMETERS].

TECHNICAL DATA

- DECK MOUNTED VANDAL RESISTANT LABORATORY FITTING
- RIGID VACUUM BREAKER SPOUT
- CAP NUT WITH SET SCREW AND BODY DECK PIN
- 369 INDEXED LEVER HANDLE WITH VANDAL RESISTANT SCREWS
- QUATURN OPERATING CARTRIDGE
- FINISH: CHROME PLATE

- E17 ASPIRATOR PUMP OUTLET
- 3.1 GPM [11.7 L/min.] MAXIMUM FLOW RATE
- ASME A112.18.1/CSA B125.1 COMPLIANT
- ASSE 1001 COMPLIANT



ADA COMPLIANT

ROUGHING IN DIMENSIONS MAY VARY AND ARE SUBJECT TO CHANGE. NO RESPONSIBILITY IS ASSUMED FOR USE OF SUPERCEDED OR VOIDED DATA.