

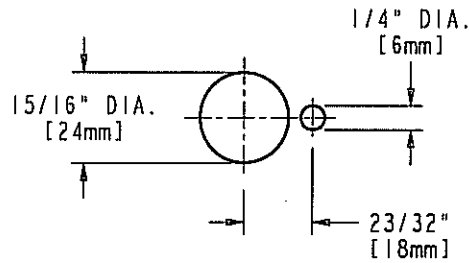
JOB NAME

ITEM NO.

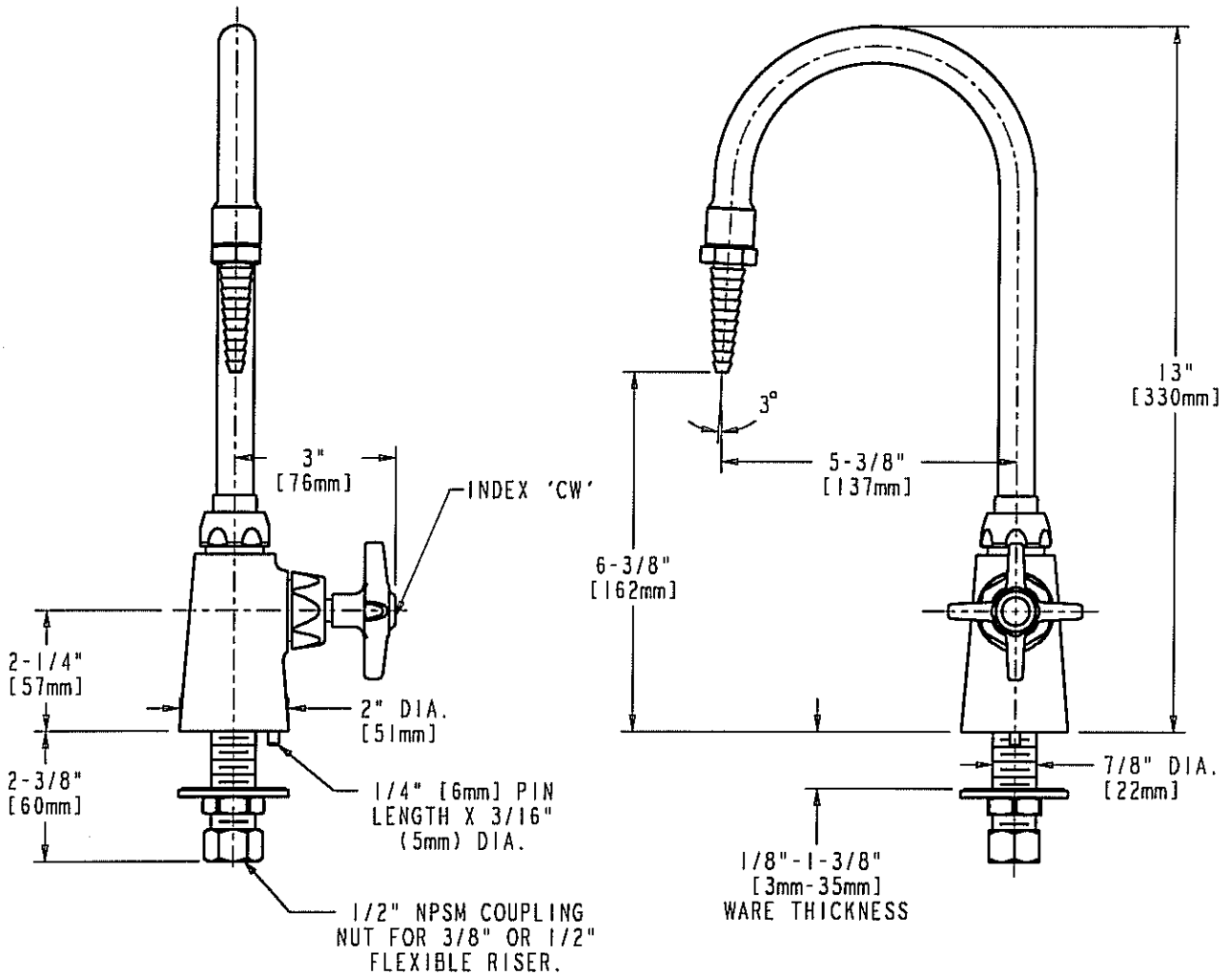
SUBMITTED AS SHOWN

SUBMITTED AS NOTED

SEE ATTACHED FOR
SUBMITTED MODIFICATION



**PLAN VIEW HOLE LOCATION
FOR BODY SHANK AND PIN**



DIMENSIONS IN INCHES AND [MILLIMETERS].

TECHNICAL DATA

- DECK MOUNTED SINGLE LABORATORY FITTING
- VANDAL RESISTANT PIN IN BODY
- GN2B RIGID/SWING GOOSENECK SPOUT
- 204 INDEXED 4-ARM HANDLE
- SLO-COMPRESSION CARTRIDGE
- POLISHED CHROME FINISH OR AS SPECIFIED
- E7 LAB NOZZLE OUTLET
- ANSI A112.18.1 COMPLIANT
- CSA B125 COMPLIANT

DATE: 01-07-03

BY: SID

CHK'D: *[Signature]*

APP'D:

REV: B

927-VPP

ROUGHING IN DIMENSIONS MAY VARY AND ARE SUBJECT TO CHANGE. NO RESPONSIBILITY IS ASSUMED FOR USE OF SUPERCEDED OR VOIDED DATA.