

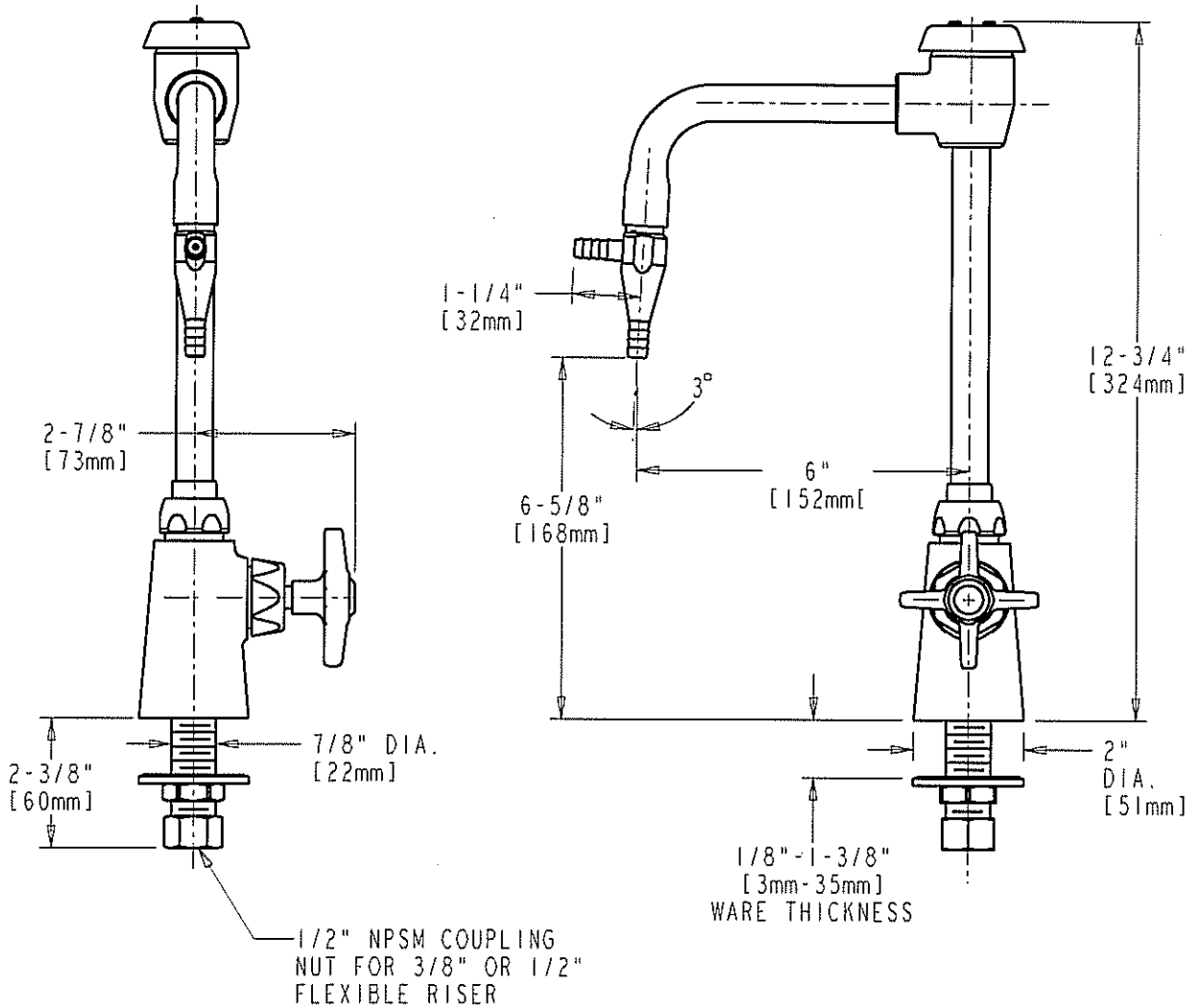
JOB NAME

ITEM NO.

SUBMITTED AS SHOWN

SUBMITTED AS NOTED

SEE ATTACHED FOR
SUBMITTED MODIFICATION



ROUGHING IN DIMENSIONS MAY VARY AND ARE SUBJECT TO CHANGE. NO RESPONSIBILITY IS ASSUMED FOR USE OF SUPERCEDED OR VOIDED DATA.

TECHNICAL DATA

- DECK MOUNTED SINGLE WATER INLET FITTING
- GN2BVB RIGID/SWING VACUUM BREAKER SPOUT
- 204 CROSS HANDLE WITH COLD WATER SERVICE BUTTON
- SLOW COMPRESSION CARTRIDGE
- FINISH: CHROME PLATE

- E17 ASPIRATOR PUMP OUTLET
- ASME A112.18.1M COMPLIANT
- CSA B125 COMPLIANT

DATE: 03-01-06

BY: SID

CHK'D:

APP'D: *ST*

REV:

928-E17