

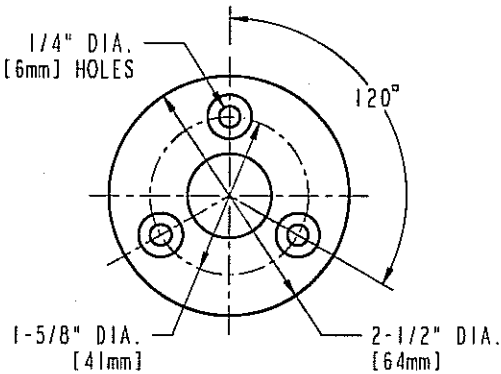
JOB NAME

ITEM NO.

SUBMITTED AS SHOWN

SUBMITTED AS NOTED

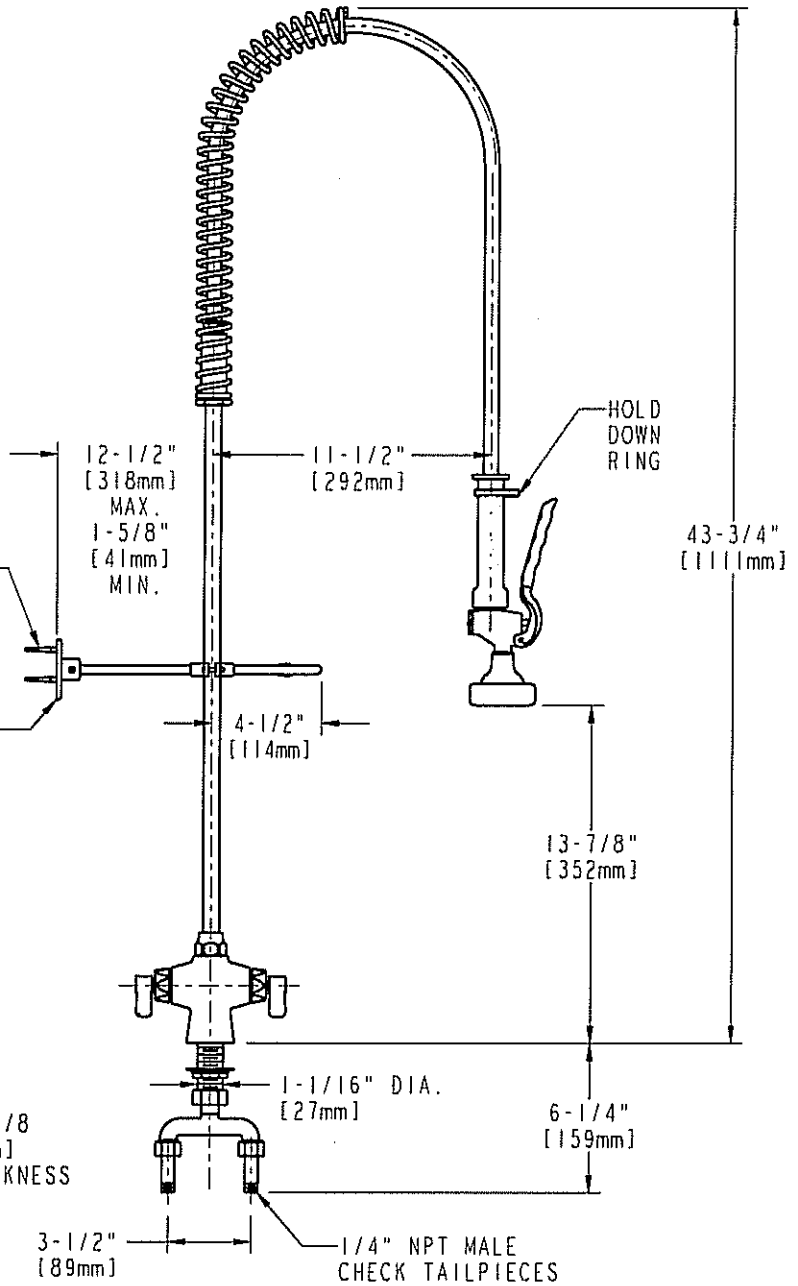
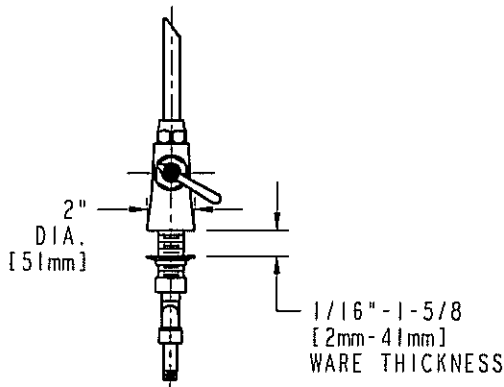
SEE ATTACHED FOR
SUBMITTED MODIFICATION



**FLANGE MOUNTING
DETAIL**

(3) #10 FLAT HEAD
WOOD SCREWS
1-1/2" [38mm] LONG

SEE FLANGE
MOUNTING
DETAIL



TECHNICAL DATA

- DECK MOUNTED PRE-RINSE SPRAY
- 80-L PRE-RINSE SPRAY HEAD
- 44" STAINLESS STEEL HOSE
- 369 INDEXED LEVER HANDLES
- CERAMIC DISC OPERATING CARTRIDGES
- FINISH: CHROME PLATE

- 23" RISER
- INTEGRATED PIPE SUPPORT & HOOK ASSEMBLY
- CHECK TAILPIECES
- ASME A112.18.1M COMPLIANT
- CSA B125 COMPLIANT

DATE: 5-10-06

BY: JAR

CHK'D:

APP'D: *[Signature]*

REV:

919-XKL

ROUGHING IN DIMENSIONS MAY VARY AND ARE SUBJECT TO CHANGE. NO RESPONSIBILITY IS ASSUMED FOR USE OF SUPERCEDED OR VOIDED DATA.