



2100 South Clearwater Drive
Des Plaines, IL 60018
Phone: 847-803-5000
Fax: 847-803-5454
www.chicagofaucets.com

FOR TECHNICAL ASSISTANCE
1-800-TEC-TRUE (1-800-832-8783)

ROUGH-IN

BY: JAR DATE: 12-11-07
CHK: [Signature] REV:

FITTING NO.

917-RCF

SUBMITTED MODEL NO.

SUBMITTED AS SHOWN

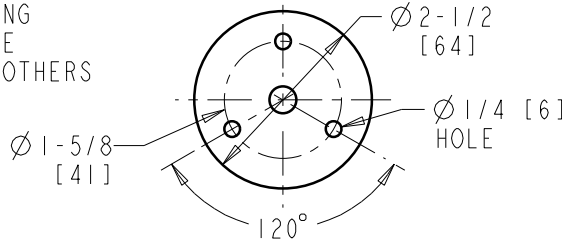
SUBMITTED AS NOTED

SEE ATTACHED FOR SUBMITTED MODIFICATION

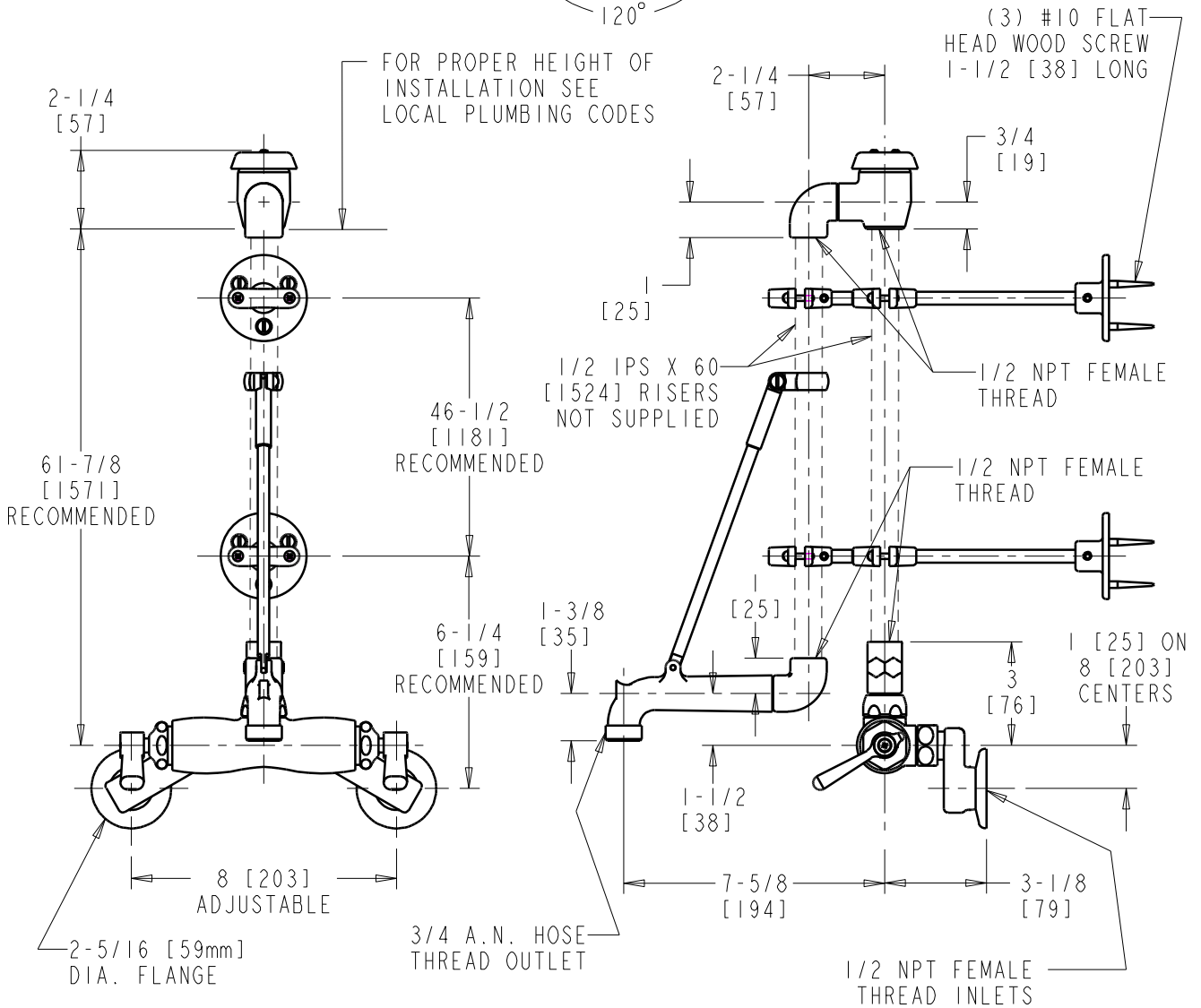
JOB NAME

ITEM NO.

NOTE: ALL DOTTED LINE PIPING IS 1/2 IPS UNLESS OTHERWISE SPECIFIED AND SUPPLIED BY OTHERS



FLANGE MOUNTING DETAIL



DIMENSIONS ARE IN INCHES AND [MILLIMETERS].

TECHNICAL DATA

- EXPOSED SERVICE SINK FITTING
- 892 ATMOSPHERIC VACUUM BREAKER
- RIGID SPOUT ASSEMBLY WITH PAIL HOOK
- 369 INDEXED LEVER HANDLES
- QUATURN OPERATING CARTRIDGES
- FINISH: ROUGH CHROME PLATE

- 'H' 2 1/2" OFFSET INLET SUPPLY ARM
- 1/2-NPT PIPE SUPPORTS
- 3/4-A.N. MALE HOSE THREAD OUTLET
- ASME A112.18.1/CSA B125.1 COMPLIANT
- ASSE 1001 COMPLIANT

ROUGHING IN DIMENSIONS MAY VARY AND ARE SUBJECT TO CHANGE. NO RESPONSIBILITY IS ASSUMED FOR USE OF SUPERCEDED OR VOIDED DATA.