

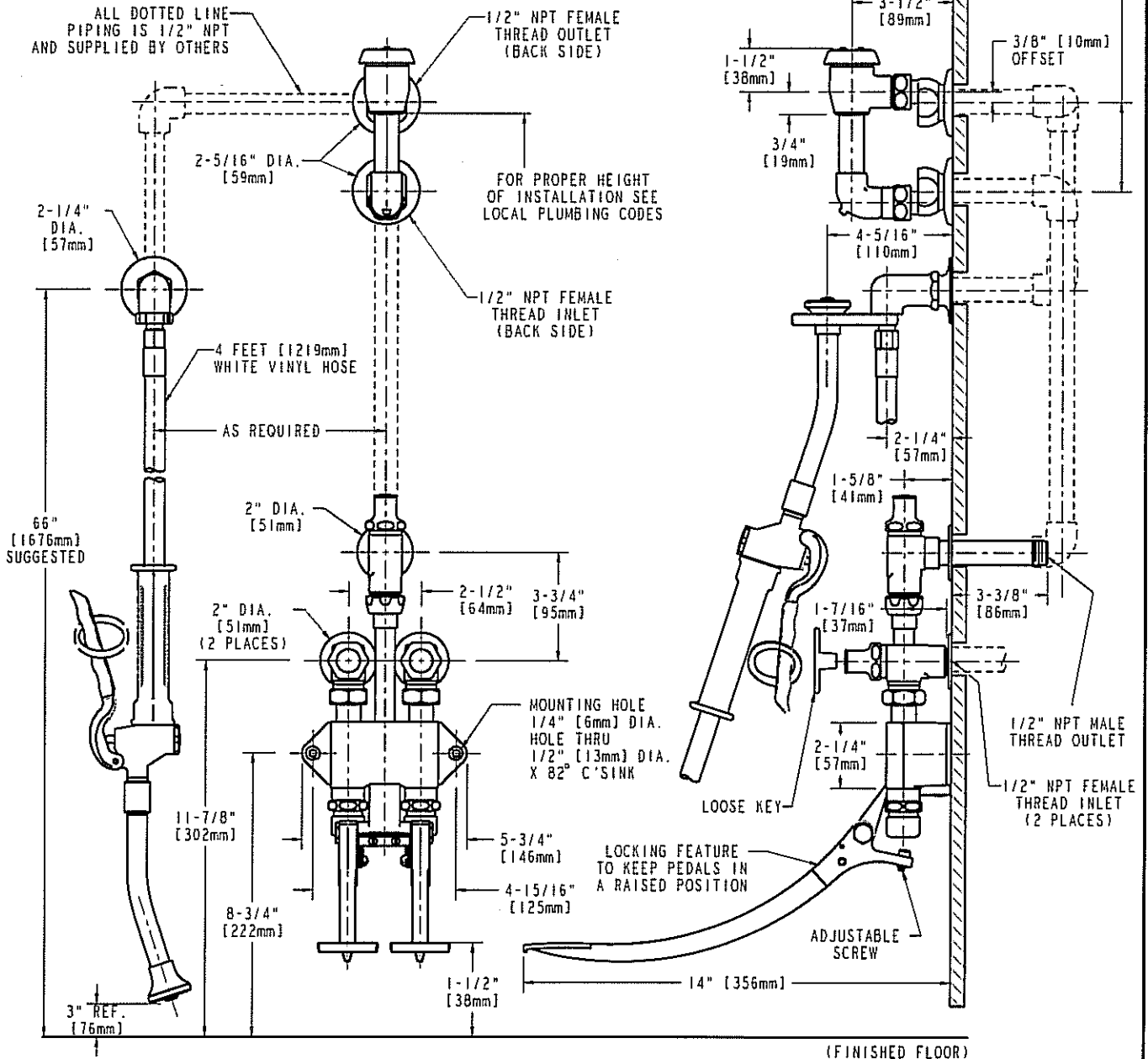
JOB NAME

ITEM NO.

SUBMITTED AS SHOWN

SUBMITTED AS NOTED

SEE ATTACHED FOR
SUBMITTED MODIFICATION



DIMENSIONS IN INCHES AND [MILLIMETERS].

TECHNICAL DATA

- WALL MOUNTED PEDAL VALVE CONCEALED BEDPAN FLUSHER
- 625X NAIAD PUSH BUTTON UNITS
- LOOSE KEY STOPS
- SLO-COMPRESSION UNITS
- 892G ELEVATED VACUUM BREAKER
- FINISH: CHROME PLATE

- ANGLE VALVE WITH VOLUME CONTROL
- VOLUME CONTROL UNIT
- 777-021K HAND SPRAY OUTLET
- 4 FEET [1219mm] WHITE VINYL HOSE
- ASME A112.18.1M COMPLIANT
- CSA B125 COMPLIANT

DATE: 11-25-03

BY: SID

CHK'D:

APP'D:

REV: A

910G-777-21K

ROUGHING IN DIMENSIONS MAY VARY AND ARE SUBJECT TO CHANGE. NO RESPONSIBILITY IS ASSUMED FOR USE OF SUPERCEDED OR VOIDED DATA.