

ROUGHING IN DIMENSIONS MAY VARY AND ARE SUBJECT TO CHANGE. NO RESPONSIBILITY IS ASSUMED FOR USE OF SUPERCEDED OR VOIDED DATA.



a Geberit company

2100 South Clearwater Drive
Des Plaines, IL 60018
Phone: 847-803-5000
Fax: 847-803-5454
www.chicagofaucets.com

ROUGH-IN

BY: JAR DATE: 11-29-07
CHK: *JAR* REV:

FITTING NO.

909-GASCP

SUBMITTED MODEL NO.

FOR TECHNICAL ASSISTANCE
1-800-TEC-TRUE (1-800-832-8783)

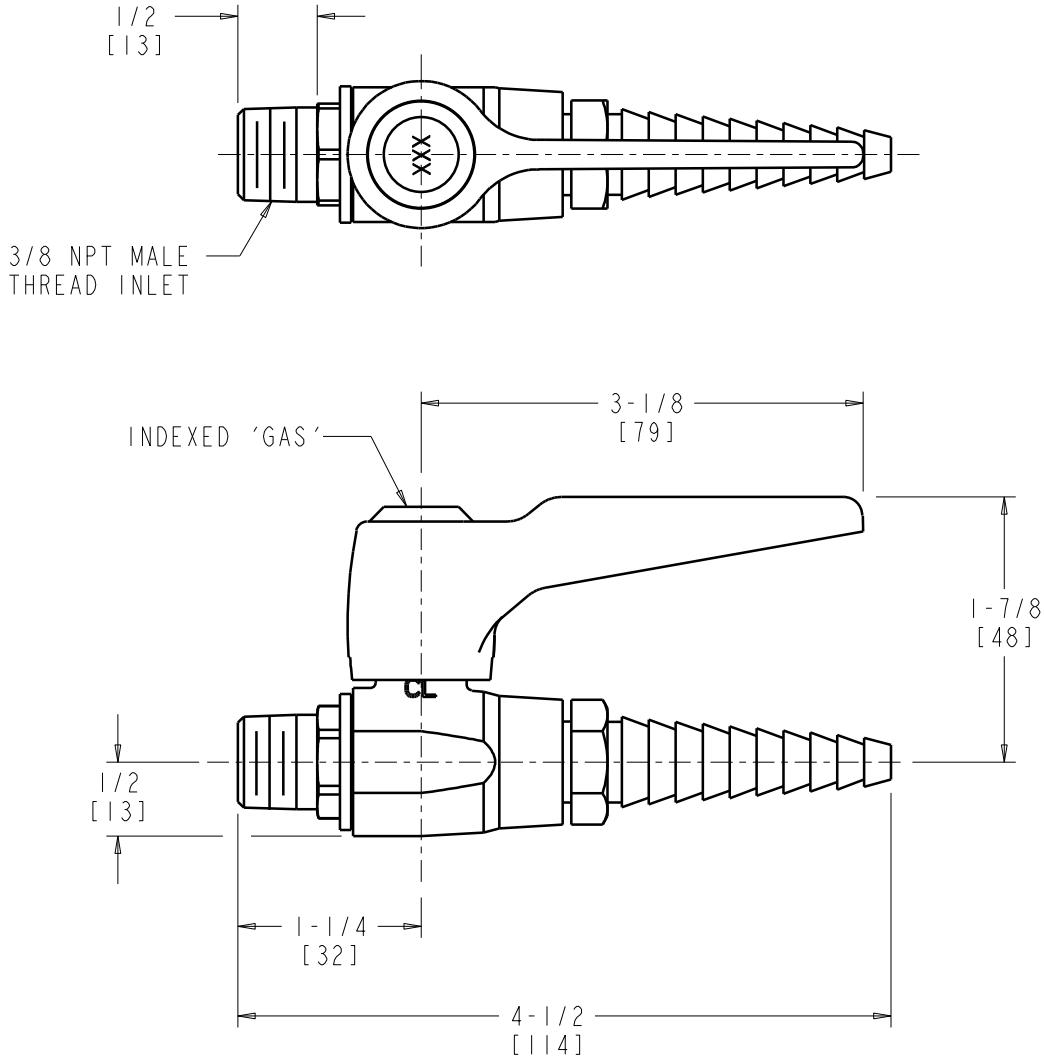
SUBMITTED AS SHOWN

SUBMITTED AS NOTED

SEE ATTACHED FOR
SUBMITTED MODIFICATION

JOB NAME

ITEM NO.



DIMENSIONS ARE IN INCHES AND [MILLIMETERS].

TECHNICAL DATA

- GAS BALL VALVE WITH 3/8" NPT MALE THREAD INLET
- ETT REMOVABLE SERRATED HOSE NOZZLE OUTLET
- LEVER HANDLE WITH GAS INDEX BUTTON
- FINISH: CHROME PLATE

- 0.5-125 PSI MAXIMUM WORKING PRESSURE
- ANSI Z21.15/CGA 9.1 COMPLIANT



ADA COMPLIANT