

JOB NAME

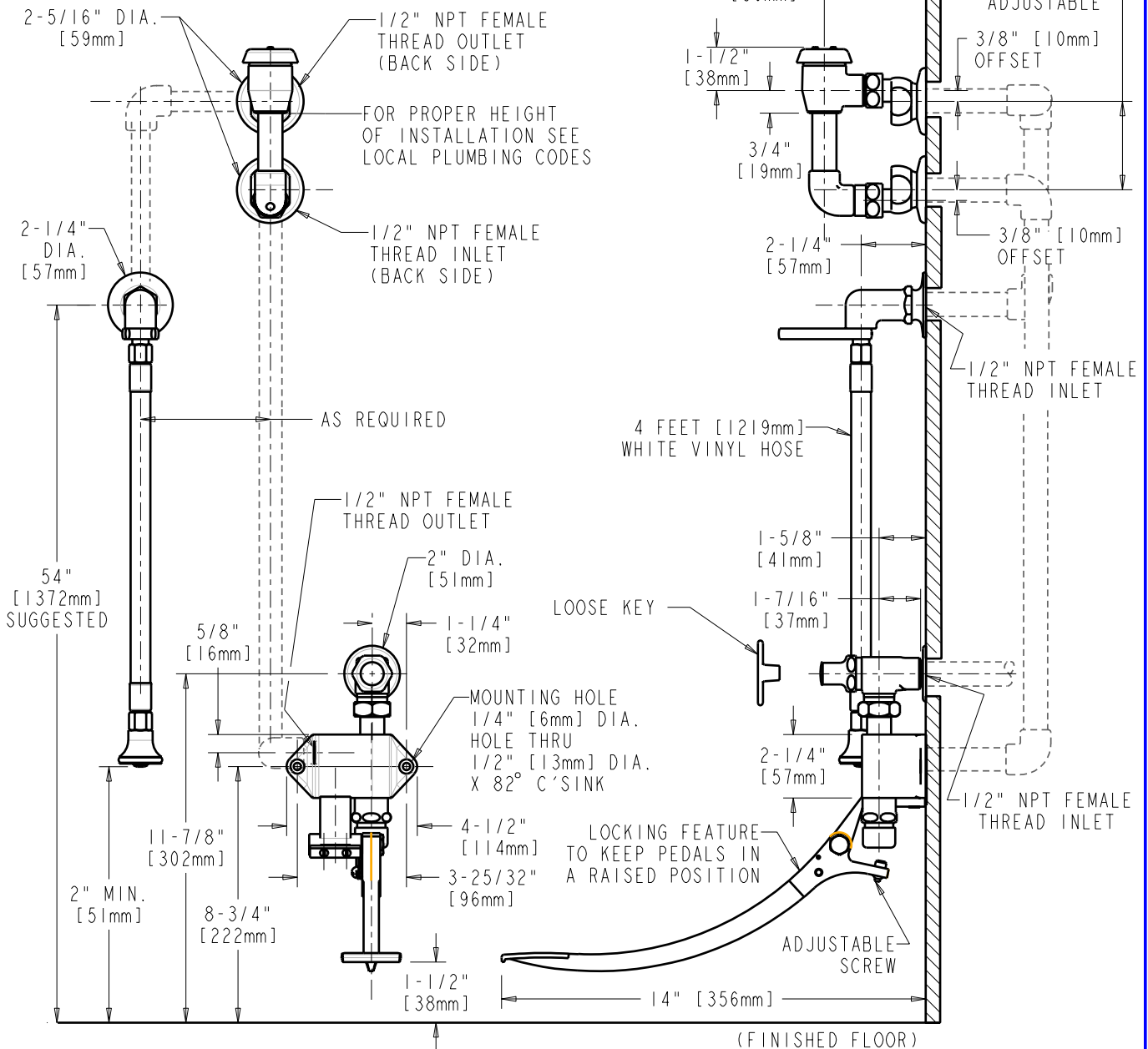
ITEM NO.

SUBMITTED AS SHOWN

SUBMITTED AS NOTED

SEE ATTACHED FOR
SUBMITTED MODIFICATION

ALL DOTTED LINE PIPING
IS 1/2" NPT AND SUPPLIED
BY OTHERS



TECHNICAL DATA

- WALL MOUNTED SINGLE PEDAL VALVE
CONCEALED BED PAN FLUSHER
- 625X NAIAD PUSH BUTTON CARTRIDGE
- LOOSE KEY STOP
- SLO-COMPRESSION CARTRIDGE
- 892G ELEVATED VACUUM BREAKER
- FINISH: CHROME PLATE

- ANGLE VALVE
- 4 FEET [1219mm] WHITE VINYL HOSE
- E21 SPRAY OUTLET
- ASME A112.18.1M COMPLIANT
- CSA B125 COMPLIANT

DATE: 10-5-05

BY: JAR

CHK'D:

APP'D:

REV: A

910-G806

ROUGHING IN DIMENSIONS MAY VARY AND ARE SUBJECT TO CHANGE. NO RESPONSIBILITY IS ASSUMED FOR USE OF SUPERCEDED OR VOIDED DATA.