

# CHICAGO FAUCETS

2100 SOUTH CLEARWATER DRIVE  
DES PLAINES, ILLINOIS 60018-5999

*Last As Long As The Building*

FITTING NO.

900

SUBMITTED MODEL NO.

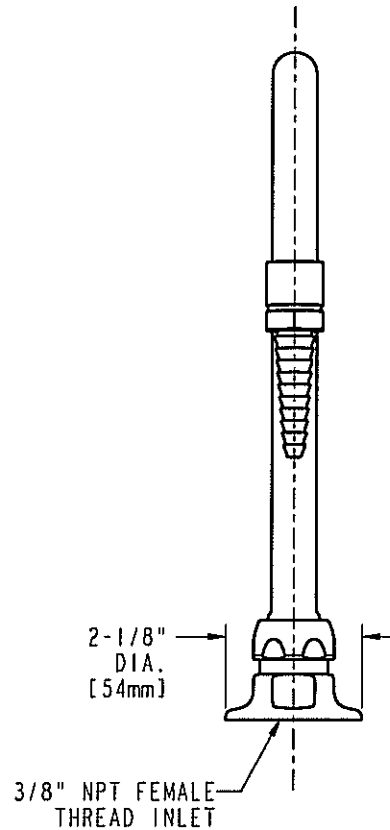
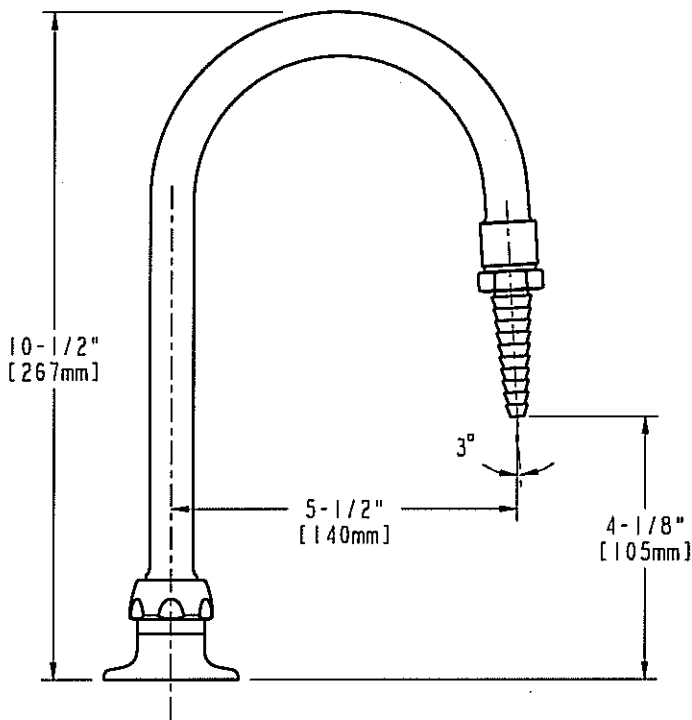
JOB NAME

ITEM NO.

SUBMITTED AS SHOWN

SUBMITTED AS NOTED

SEE ATTACHED FOR  
SUBMITTED MODIFICATION



ROUGHING IN DIMENSIONS MAY VARY AND ARE SUBJECT TO CHANGE. NO RESPONSIBILITY IS ASSUMED FOR USE OF SUPERCEDED OR VOIDED DATA.

DIMENSIONS IN INCHES AND [MILLIMETERS].

**TECHNICAL DATA**

- DECK MOUNTED SPOUT WITH FLANGE
- GN2B RIGID/SWING GOOSENECK SPOUT
- E7 SERRATED NOZZLE
- FINISH: CHROME PLATE

DATE: 12-10-02

BY: JAR

CHK'D: *SID*

APP'D:

REV: A

006