

ROUGHING IN DIMENSIONS MAY VARY AND ARE SUBJECT TO CHANGE. NO RESPONSIBILITY IS ASSUMED FOR USE OF SUPERCEDED OR VOIDED DATA.



a Geberit company

2100 South Clearwater Drive
Des Plaines, IL 60018
Phone: 847-803-5000
Fax: 847-803-5454
www.chicagofaucets.com

ROUGH-IN

BY: JAR DATE: 01-07-08
CHK: *JAR* REV:

FITTING NO.

886-RL8BVBE2-2CP

SUBMITTED MODEL NO.

FOR TECHNICAL ASSISTANCE
1-800-TEC-TRUE (1-800-832-8783)

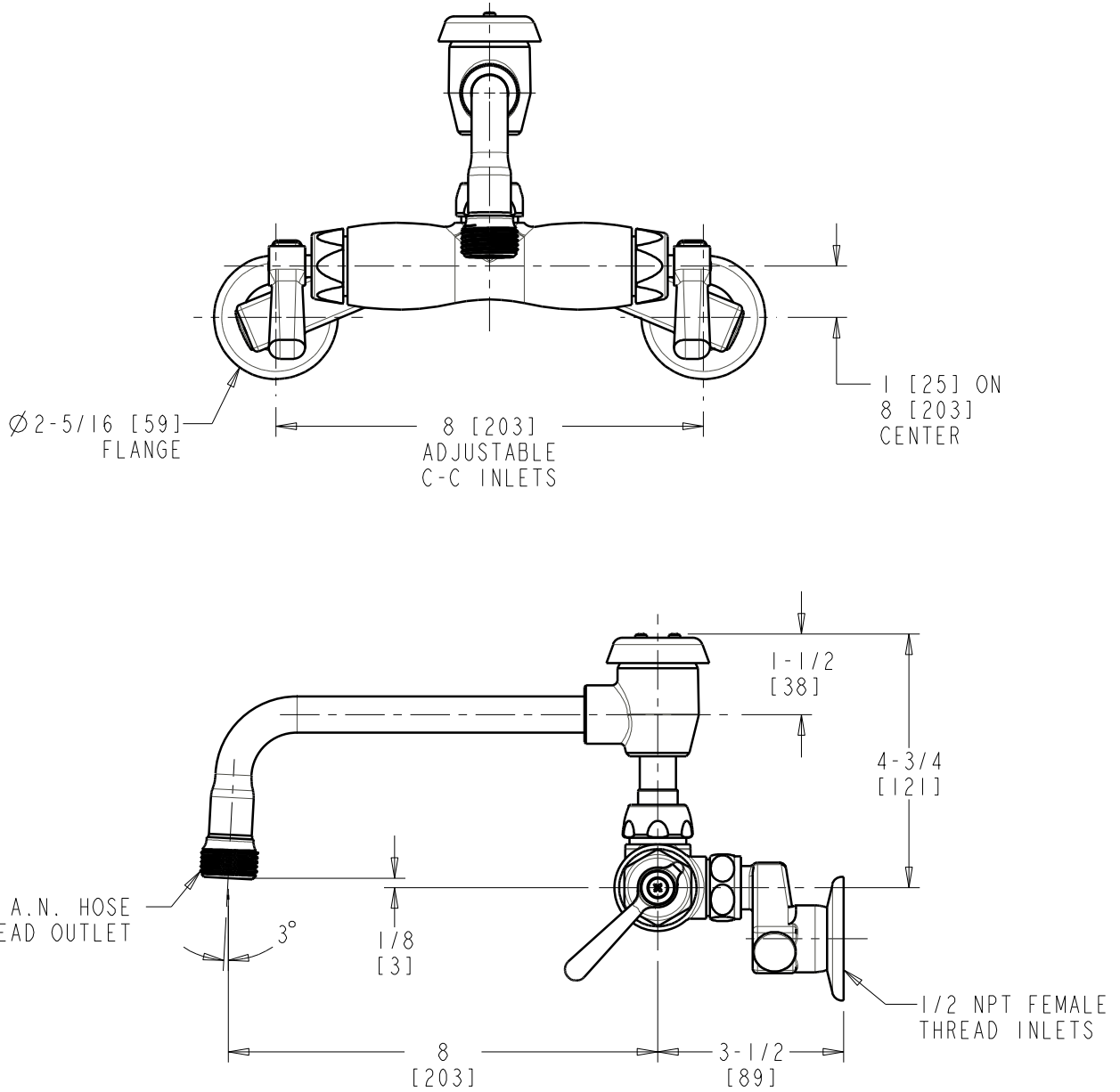
SUBMITTED AS SHOWN

SUBMITTED AS NOTED

SEE ATTACHED FOR
SUBMITTED MODIFICATION

JOB NAME

ITEM NO.



DIMENSIONS ARE IN INCHES AND [MILLIMETERS].

TECHNICAL DATA

- BACK MOUNTED SINK FITTING
- L8BVB VACUUM BREAKER SWING SPOUT
- 369 INDEXED LEVER HANDLES
- QUATURN OPERATING CARTRIDGES
- 'R' OFFSET SUPPLY ARM WITH BUILT-IN SHUT-OFF STOP
- FINISH: CHROME PLATE
- 3/4 MALE HOSE THREAD OUTLET
- ASME A112.18.1/CSA B125.1 COMPLIANT
- ASSE 1001 COMPLIANT