

CHICAGO[®] FAUCETS

2100 SOUTH CLEARWATER DRIVE
DES PLAINES, ILLINOIS 60018-5999

FITTING NO.

869B

SUBMITTED MODEL NO.

JOB NAME

ITEM NO.

SUBMITTED AS SHOWN

SUBMITTED AS NOTED

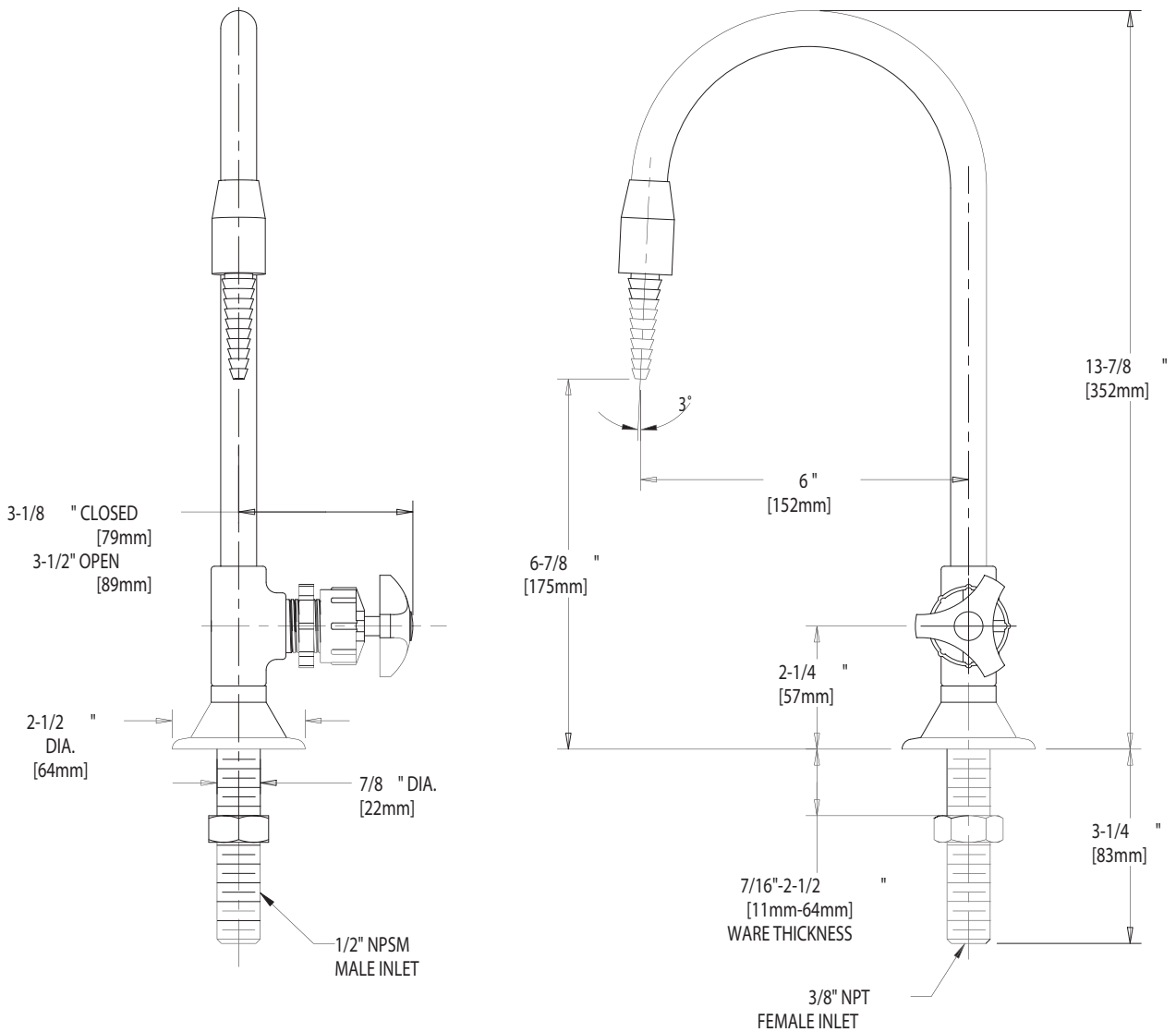
SEE ATTACHED FOR
SUBMITTED MODIFICATION

NOTES:

1. JAM NUT TO BE LOCKED AGAINST CAP AFTER POSITIONING AND LOCKING OF NEEDLE UNIT.
2. THIS PVC FITTING IS NOT TO BE USED AT PRESSURE EXCEEDING 60 PSI.

IS ASSUMED FOR USE OF SUPERCEDED OR VOIDED DATA. (0192-1)

ROUGHING IN DIMENSIONS MAY VARY AND ARE SUBJECT TO CHANGE. NO RESPONSIBILITY



DIMENSIONS IN INCHES AND [MILLIMETERS].

TECHNICAL DATA

- DECK MOUNTED DISTILLED WATER FITTING
- RIGID GOOSENECK SPOUT WITH LAB NOZZLE OUTLET
- NEEDLE-POINT VALVE WITH THREE ARM HANDLE
- MALE INLET SHANK
- PVC (POLYVINYL CHLORIDE)

DATE: 06-18-01

BY: SID

CHK'D:

APP'D:

REV:

869B