

ROUGHING IN DIMENSIONS MAY VARY AND ARE SUBJECT TO CHANGE. NO RESPONSIBILITY IS ASSUMED FOR USE OF SUPERCEDED OR VOIDED DATA.



a Geberit company

2100 South Clearwater Drive
Des Plaines, IL 60018
Phone: 847-803-5000
Fax: 847-803-5454
www.chicagofaucets.com

ROUGH-IN

BY: SID DATE: 11-05-07
CHK: *[Signature]* REV:

FITTING NO.

870-BPVC

SUBMITTED MODEL NO.

FOR TECHNICAL ASSISTANCE
1-800-TEC-TRUE (1-800-832-8783)

SUBMITTED AS SHOWN

SUBMITTED AS NOTED

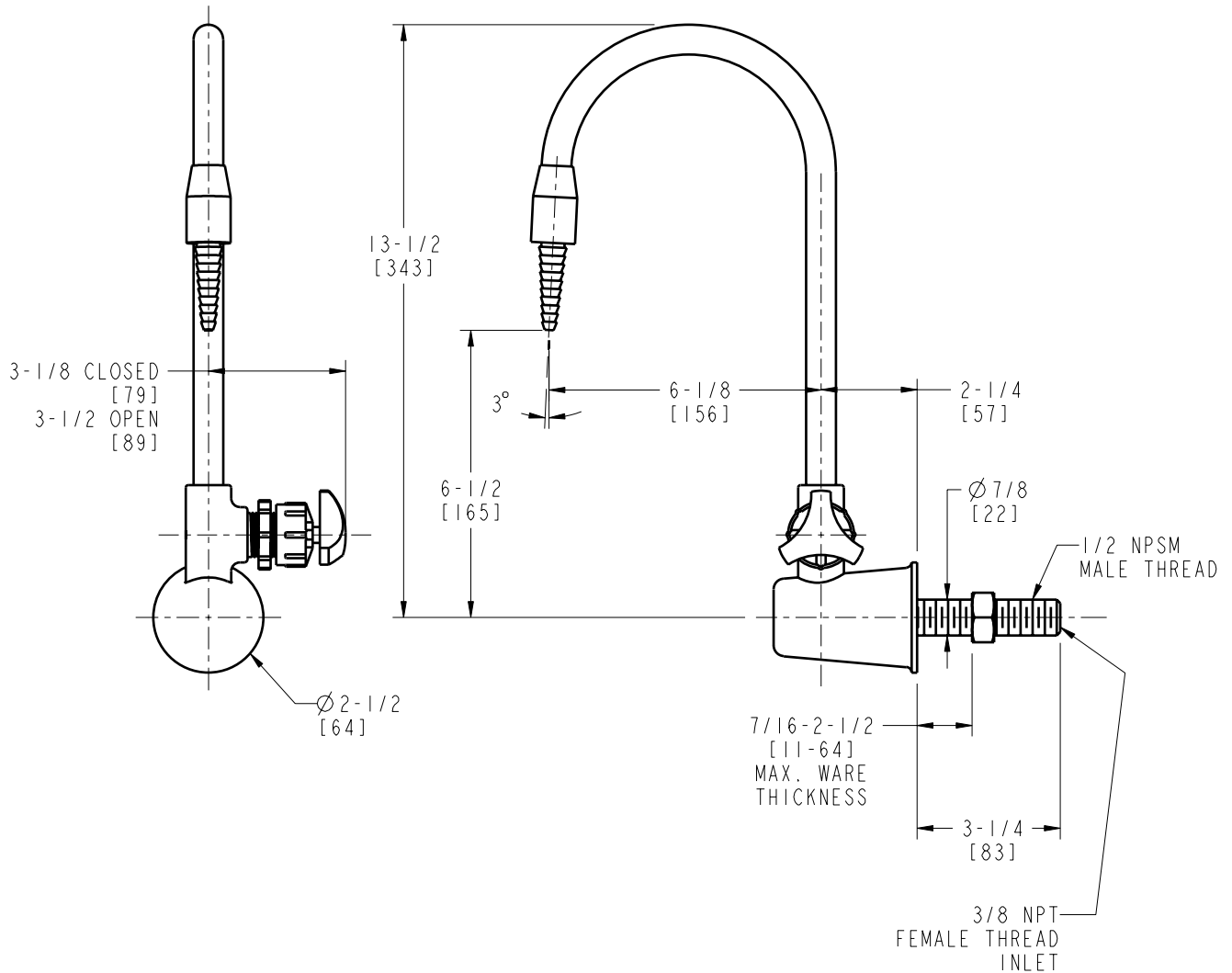
SEE ATTACHED FOR
SUBMITTED MODIFICATION

JOB NAME

ITEM NO.

NOTES:

- JAM NUT TO BE LOCKED AGAINST CAP AFTER POSITIONING AND LOCKING OF NEEDLE UNIT.
- THIS PVC FITTING IS NOT TO BE USED AT PRESSURE EXCEEDING 60 PSI.



DIMENSIONS ARE IN INCHES AND [MILLIMETERS].

TECHNICAL DATA

- WALL MOUNTED DISTILLED WATER FITTING
- PVC RIGID GOOSENECK SPOUT
- NEEDLE POINT VALVE WITH THREE ARM HANDLE
- FINISH: PVC (POLYVINYL CHLORIDE)
- INTEGRAL SERRATED HOSE NOZZLE
- PVC VALVE