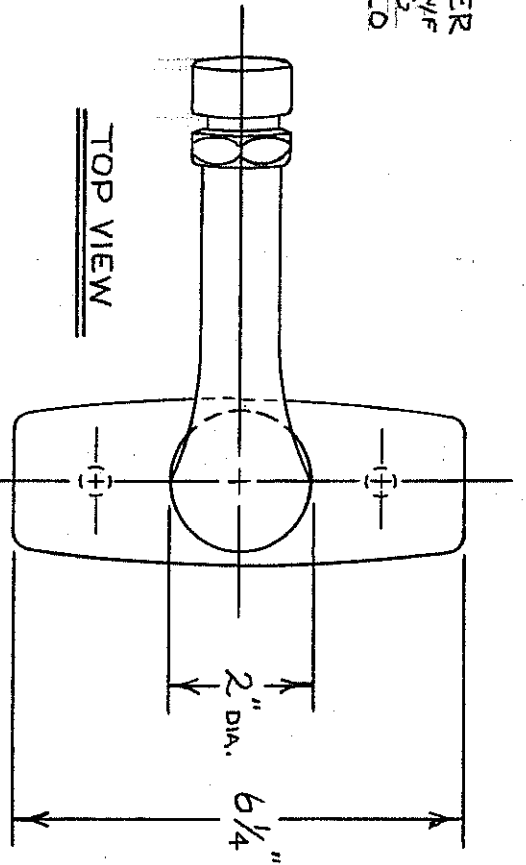
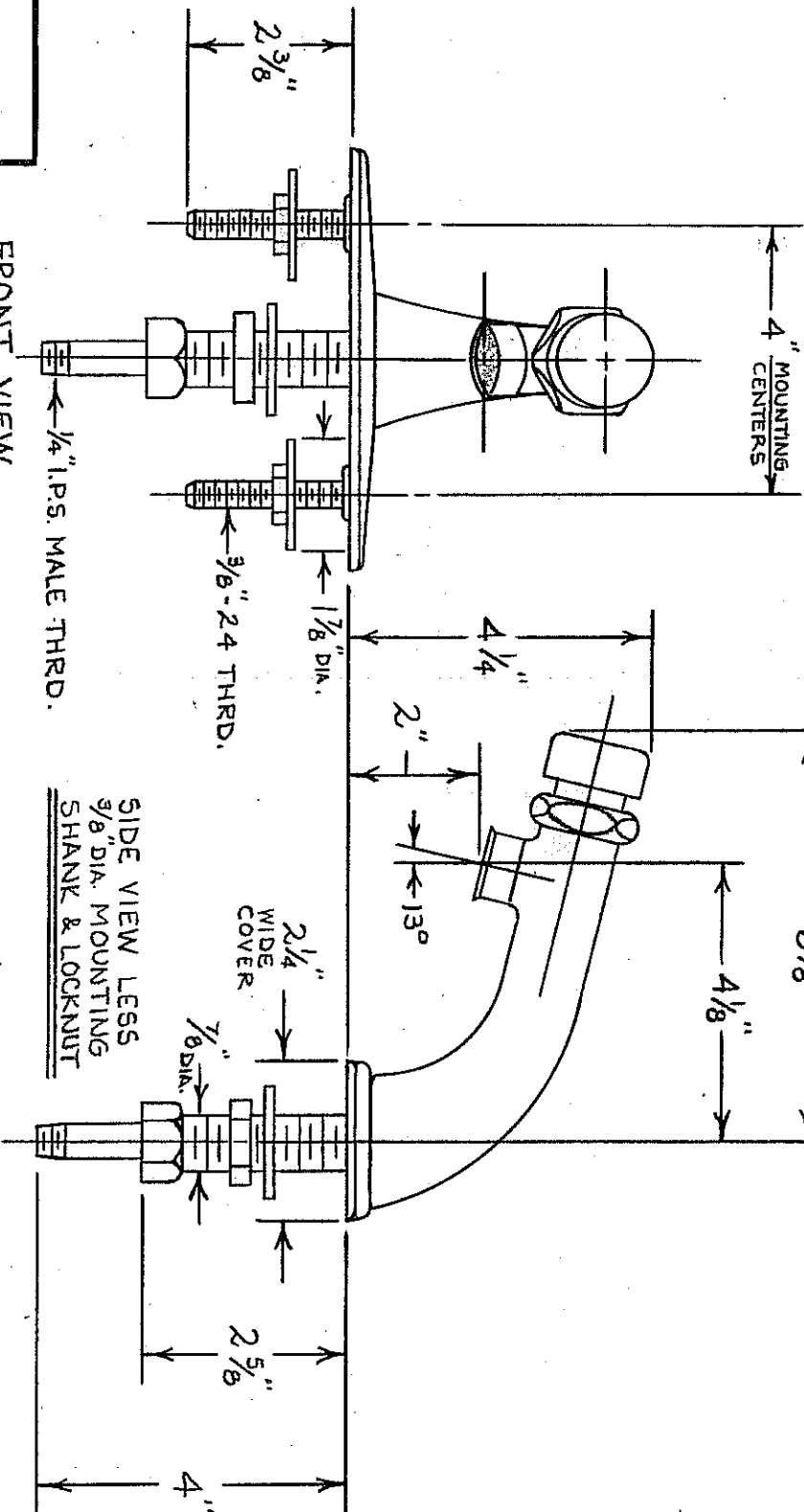


FITTING N^o. 857-E12 9, SINGLE WATER
 TYPE SELF-CLOSING LAVATORY SPOUT W/F
 333-X-SLO PUSH BUTTON SELF-CLOSING,
 ADJUSTABLE DASHPOT UNIT, E12 SOFT-FLY
 OUTLET ASSEMBLED ON COVER PLATE
 FOR MOUNTING IN 4" CENTER SET
 LAVATORIES, AND 1/4" I.P.S. TAILPIECE
 INLET.

IMPORTANT
 ROUGHING-IN DIMENSIONS
 MAY VARY 1/4" PLUS OR
 MINUS



TOP VIEW



FRONT VIEW

SIDE VIEW LESS
 3/8" DIA. MOUNTING
 SHANK & LOCKNUT

SCALE 3/8" = 1"

DATE 10/27/81

PART
MAT.

DRAWN *MT*
CHECKED

DECIMALS ± .003" FRACTIONS ± .010"
UNLESS OTHERWISE SPECIFIED

THE CHICAGO FAUCET CO.

C/B NO.

PATT. NO.

FIN. POL. CHROME

A	857-E12
CHANGES	
NO.	DATE
A	10/29/81