

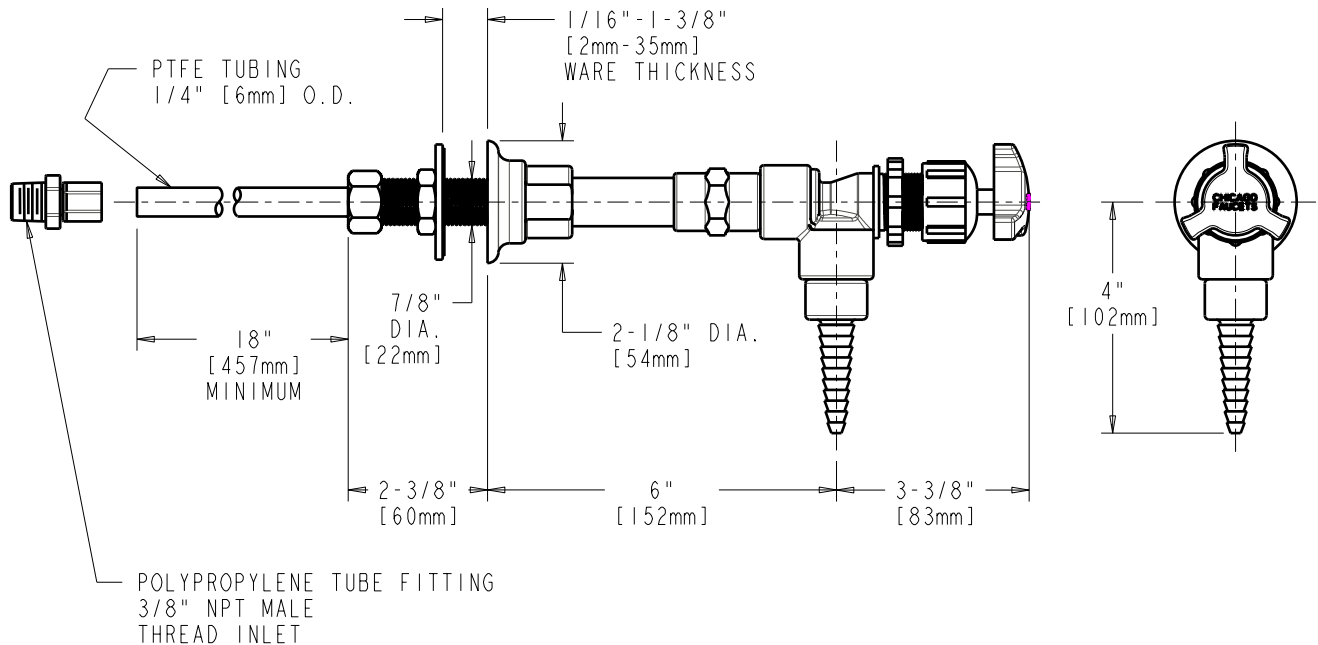
JOB NAME

ITEM NO.

SUBMITTED AS SHOWN

SUBMITTED AS NOTED

SEE ATTACHED FOR
SUBMITTED MODIFICATION



ROUGHING IN DIMENSIONS MAY VARY AND ARE SUBJECT TO CHANGE. NO RESPONSIBILITY IS ASSUMED FOR USE OF SUPERCEDED OR VOIDED DATA.

TECHNICAL DATA

- WALL MOUNTED DE-IONIZED WATER FITTING
- PTFE LINER TUBE WITH CHROME PLATED BRASS FLANGE ASSEMBLY
- POLYPROPYLENE VALVE WITH PTFE SEAT
- 3/8" [10mm] MALE SERRATED POLYPROPYLENE NOZZLE
- 3-ARM POLYPROPYLENE HANDLE
- FINISH: CHROME PLATE

- POLYPROPYLENE CARTRIDGE
- POLYPROPYLENE 3/8" NPT MALE INLET
- 80 PSI MAXIMUM PRESSURE
- MAXIMUM WATER TEMPERATURE 90°F [32°C]

DATE: 4-19-02

BY: JAR

CHK'D:

APP'D: *JAR*

REV: 05-03-07

829-A