



2100 SOUTH CLEARWATER DRIVE
DES PLAINES, ILLINOIS 60018-5999

FITTING NO.

838

SUBMITTED MODEL NO.

JOB NAME

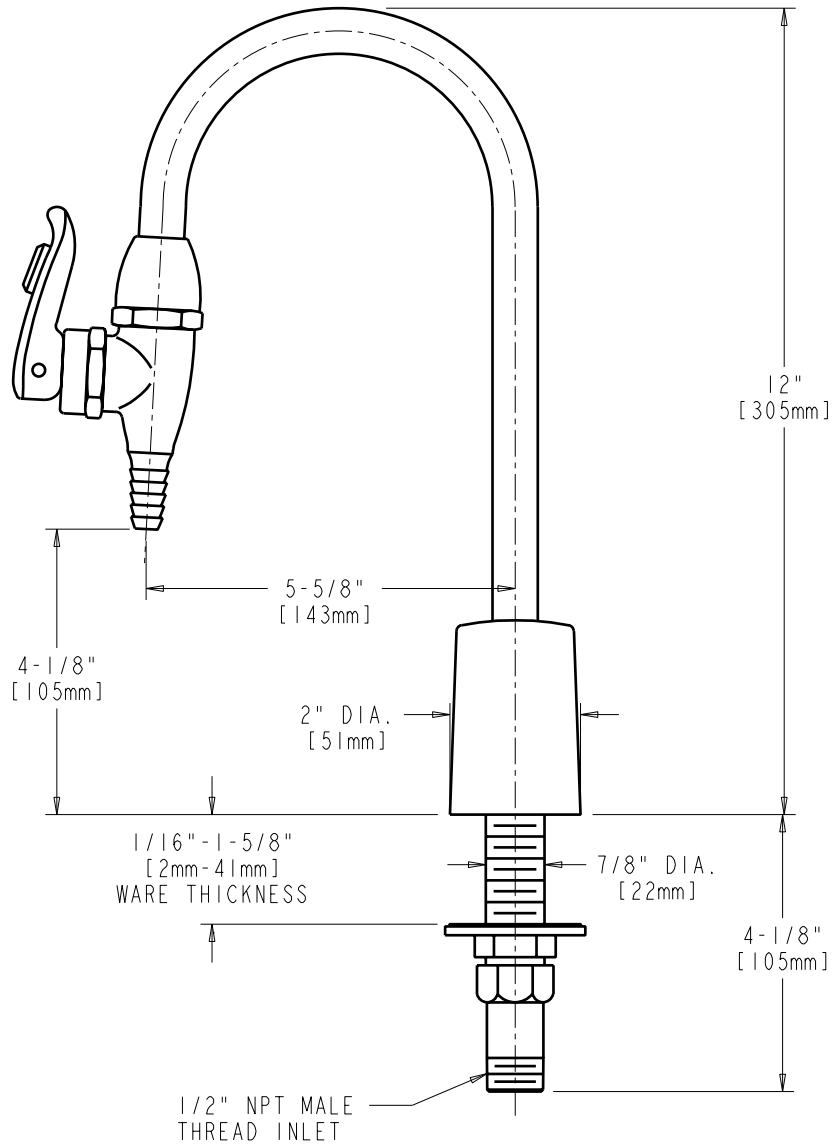
ITEM NO.

SUBMITTED AS SHOWN

SUBMITTED AS NOTED

SEE ATTACHED FOR
SUBMITTED MODIFICATION

NOTE: HIGH PURITY PLASTIC VALVE IS NOT
A CHEMICALLY INERT MATERIAL AND SHOULD
NOT BE WASHED WITH STRONG ACIDS.



DIMENSIONS IN INCHES AND [MILLIMETERS].

TECHNICAL DATA

- DECK MOUNTED LAVATORY FITTING
- DISTILLED WATER
- HIGH PURITY PLASTIC VALVE
- SELF-CLOSING AND FULL FLOW POSITION
- FINISH: CHROME PLATE

- TYGON INTERIOR TUBING
- SERRATED NOZZLE
- 60 PSI MAXIMUM WORKING PRESSURE

DATE: 05-21-02

BY: SID

CHK'D:

APP'D:

REV: A

838

ROUGHING IN DIMENSIONS MAY VARY AND ARE SUBJECT TO CHANGE. NO RESPONSIBILITY IS ASSUMED FOR USE OF SUPERCEDED OR VOIDED DATA.