

ROUGHING IN DIMENSIONS MAY VARY AND ARE SUBJECT TO CHANGE. NO RESPONSIBILITY IS ASSUMED FOR USE OF SUPERCEDED OR VOIDED DATA.

JOB NAME

ITEM NO.

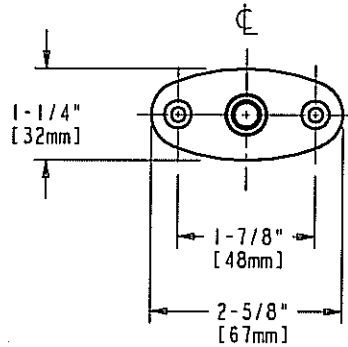
SUBMITTED AS SHOWN

SUBMITTED AS NOTED

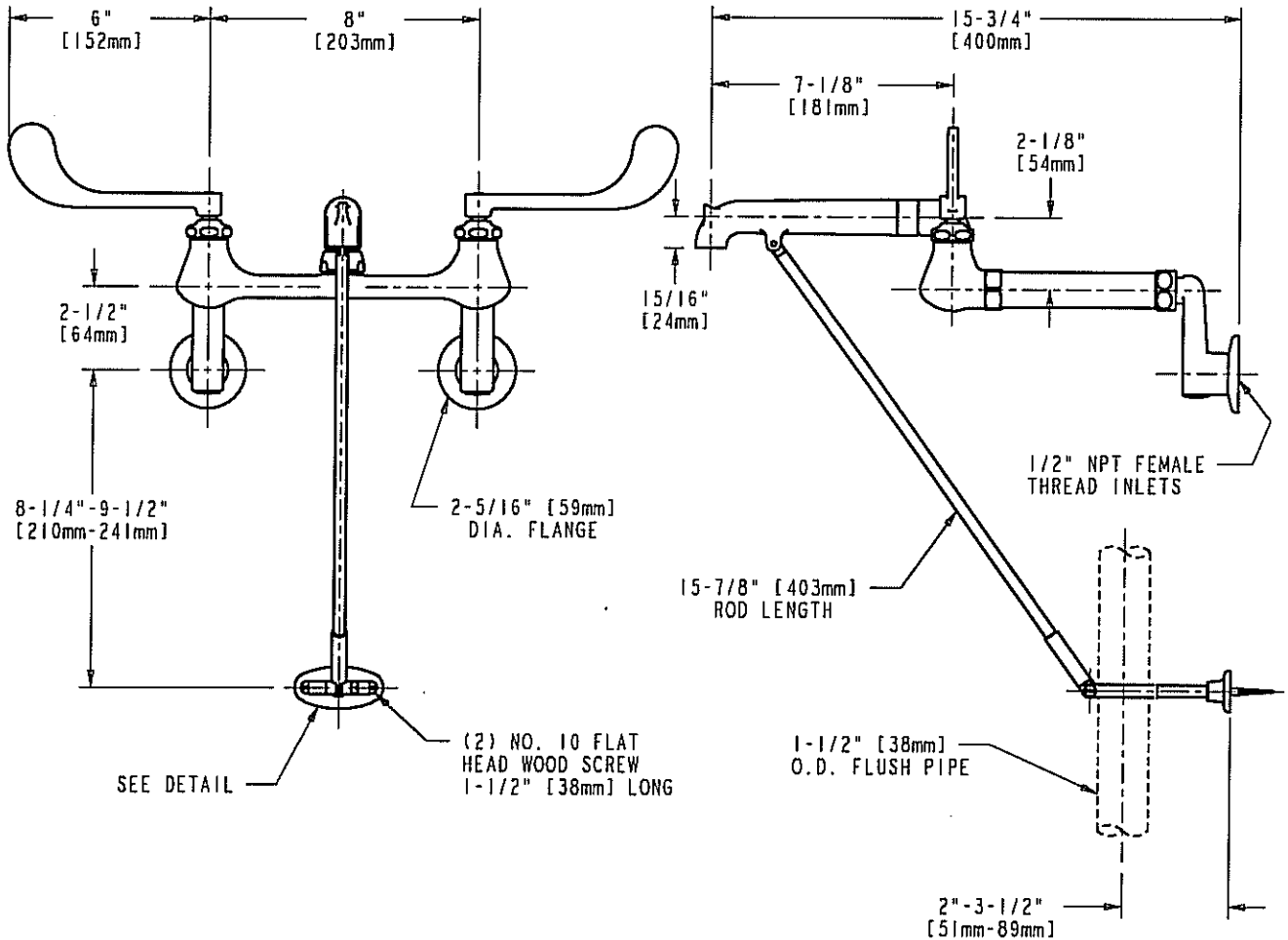
SEE ATTACHED FOR
SUBMITTED MODIFICATION



ADA COMPLIANT



FLANGE DETAIL



DIMENSIONS IN INCHES AND [MILLIMETERS].

TECHNICAL DATA

- FLUSHING RIM SINK FITTING
- 815S RIGID SPOUT ASSEMBLY
- 319 ELBOW BLADE HANDLES
- CERAMIC DISC OPERATING CARTRIDGES
- FINISH: CHROME PLATE

- "R" ADJUSTABLE SUPPLY ARMS WITH INTEGRAL SERVICE STOPS
- FLUSH VALVE PIPE SUPPORT
- ASME A112.18.1M COMPLIANT
- CSA B125 COMPLIANT

DATE: 12-5-02

BY: JAR

CHK'D: SID

APP'D:

REV: A

815-XK