

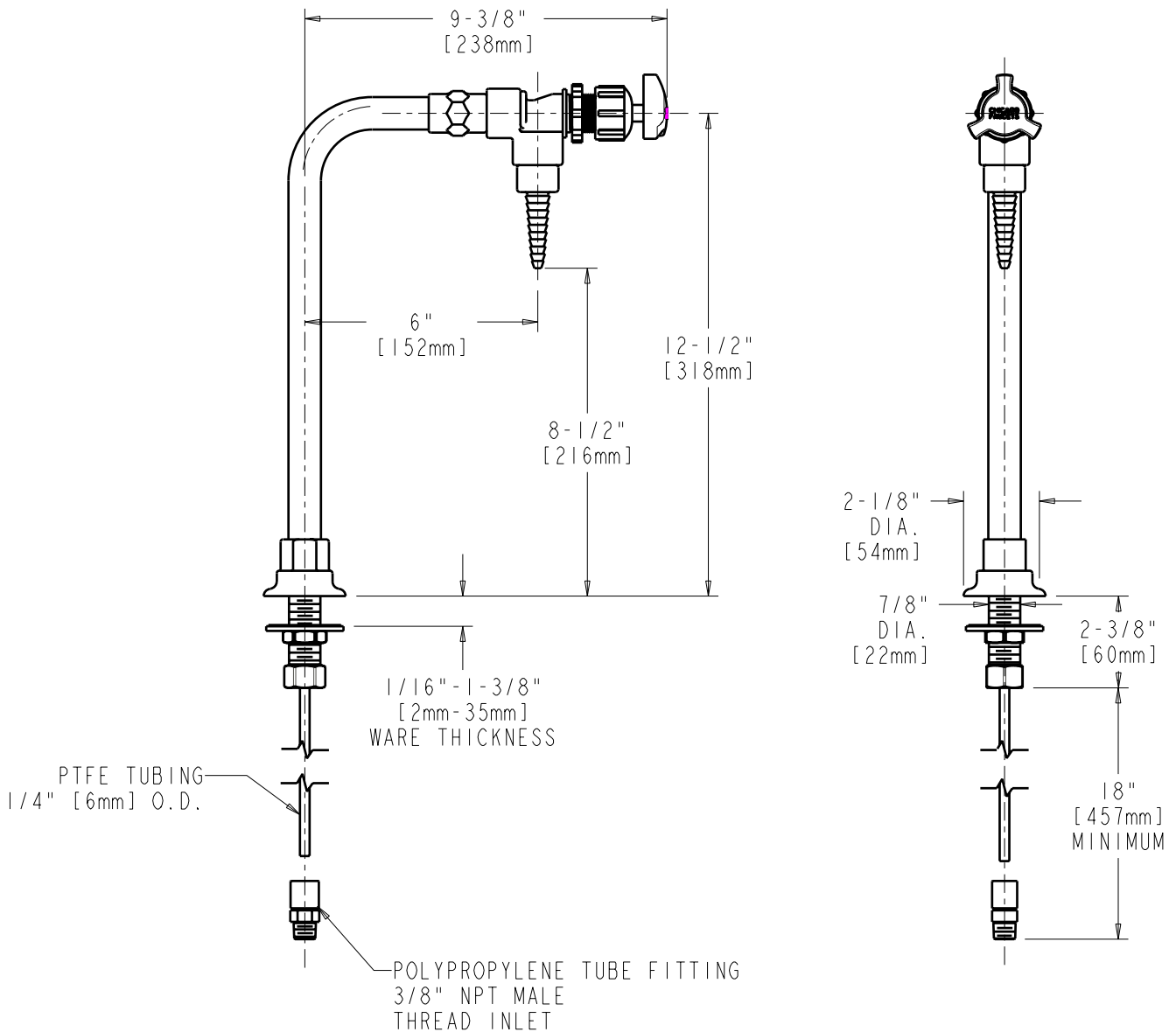
JOB NAME

ITEM NO.

SUBMITTED AS SHOWN

SUBMITTED AS NOTED

SEE ATTACHED FOR
SUBMITTED MODIFICATION



TECHNICAL DATA

- DECK MOUNTED DE-IONIZED WATER FITTING
- PTFE LINER TUBE WITH CHROME PLATED BRASS FLANGE ASSEMBLY
- POLYPROPELENE VALVE WITH PTFE SEAT
- 3/8" [10mm] MALE SERRATED POLYPROPYLENE NOZZLE
- 3-ARM POLYPROPYLENE HANDLE
- FINISH: CHROME PLATE

- POLYPROPYLENE CARTRIDGE
- POLYPROPYLENE 3/8" NPT MALE INLET
- 80 PSI MAXIMUM PRESSURE
- MAXIMUM WATER TEMPERATURE 90°F [32°C]

DATE: 7-25-97

BY: JAR

CHK'D:

APP'D: *JAR*

REV: 05-03-07

828-A

ROUGHING IN DIMENSIONS MAY VARY AND ARE SUBJECT TO CHANGE. NO RESPONSIBILITY IS ASSUMED FOR USE OF SUPERCEDED OR VOIDED DATA.