

CHICAGO FAUCETS



2100 SOUTH CLEARWATER DRIVE
DES PLAINES, ILLINOIS 60018-5999

FITTING NO.

815

SUBMITTED MODEL NO.

Last As Long As The Building

JOB NAME

ITEM NO.

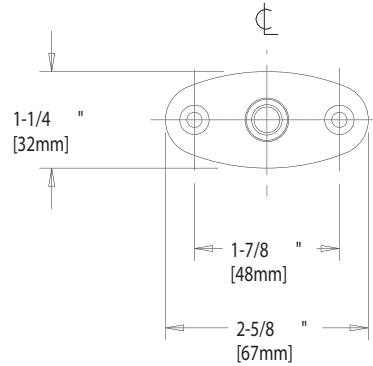
SUBMITTED AS SHOWN

SUBMITTED AS NOTED

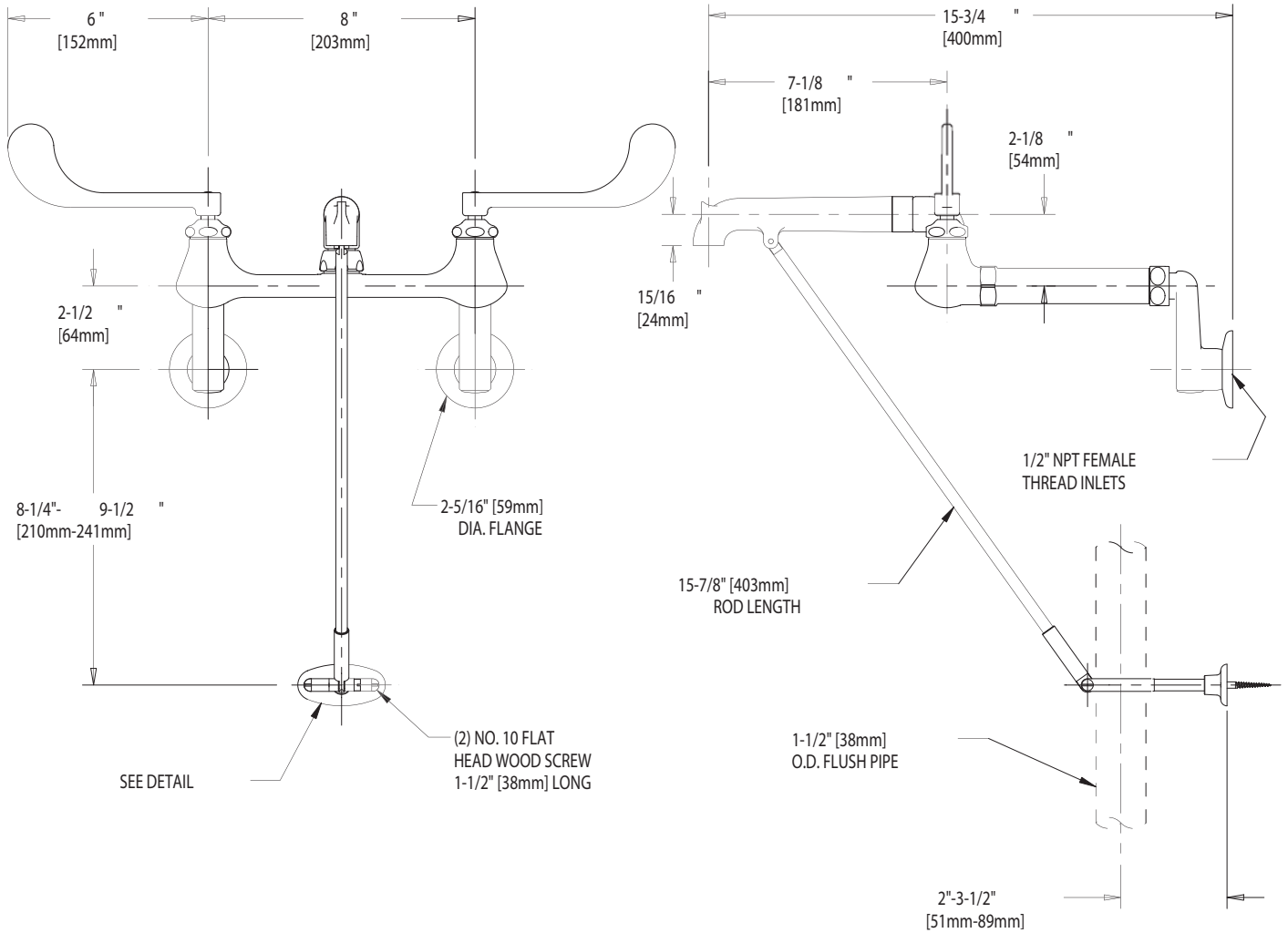
SEE ATTACHED FOR
SUBMITTED MODIFICATION



ADA COMPLIANT



FLANGE DETAIL



DIMENSIONS IN INCHES AND [MILLIMETERS].

TECHNICAL DATA

- FLUSHING RIM SINK FITTING
- 815S RIGID SPOUT ASSEMBLY
- 319 ELBOW BLADE HANDLES
- QUATURN OPERATING CARTRIDGES
- FINISH: CHROME PLATE

- "R" ADJUSTABLE SUPPLY ARMS WITH INTEGRAL SERVICE STOPS
- FLUSH VALVE PIPE SUPPORT
- ASME A112.18.1M COMPLIANT
- CSA B125 COMPLIANT

DATE: 05-21-02

BY: SID

CHK'D:

APP'D:

REV: A

815

IS ASSUMED FOR USE OF SUPERCEDED OR VOIDED DATA.

ROUGHING IN DIMENSIONS MAY VARY AND ARE SUBJECT TO CHANGE. NO RESPONSIBILITY