

JOB NAME

ITEM NO.

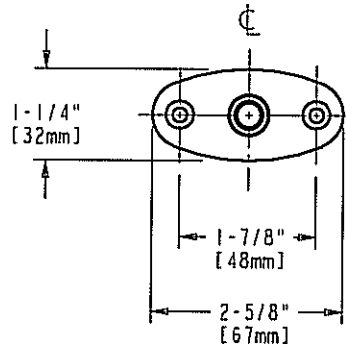
SUBMITTED AS SHOWN

SUBMITTED AS NOTED

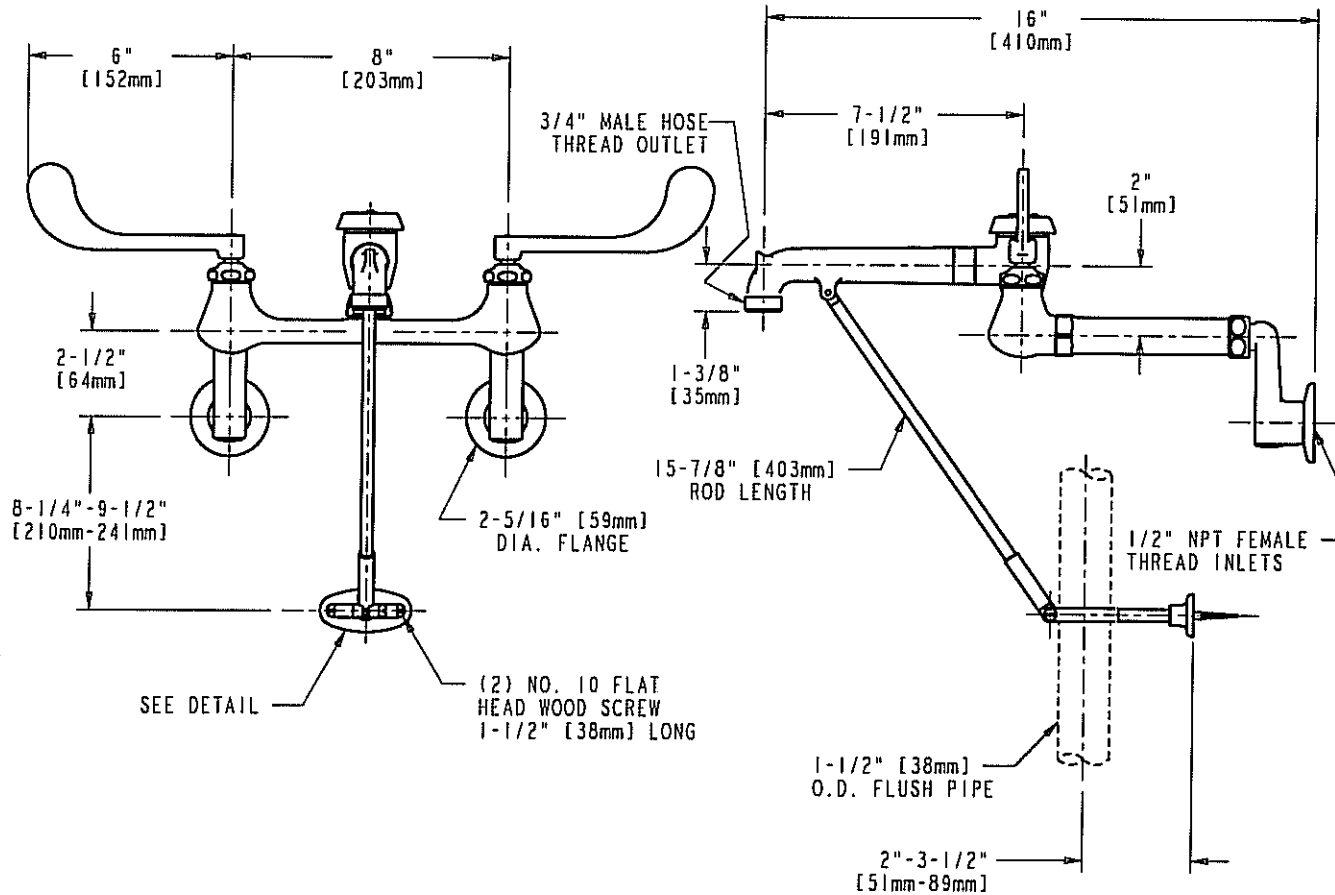
SEE ATTACHED FOR
SUBMITTED MODIFICATION



ADA COMPLIANT



FLANGE DETAIL



DIMENSIONS IN INCHES AND [MILLIMETERS].

TECHNICAL DATA

- FLUSHING RIM SINK FITTING
- 815SVB RIGID SPOUT ASSEMBLY
- ATMOSPHERIC VACUUM BREAKER
- 319 ELBOW BLADE HANDLES
- CERAMIC DISC OPERATING CARTRIDGES
- FINISH: CHROME PLATE

- "R" ADJUSTABLE SUPPLY ARMS WITH INTEGRAL SERVICE STOPS
- FLUSH VALVE PIPE SUPPORT
- ASME A112.18.1M COMPLIANT
- CSA B125 COMPLIANT

DATE: 12-5-02

BY: JAR

CHK'D: SJD

APP'D:

REV: A

815-VBXX

ROUGHING IN DIMENSIONS MAY VARY AND ARE SUBJECT TO CHANGE. NO RESPONSIBILITY IS ASSUMED FOR USE OF SUPERCEDED OR VOIDED DATA.