

CHICAGO FAUCETS

Last As Long As The Building



2100 SOUTH CLEARWATER DRIVE
DES PLAINES, ILLINOIS 60018-5999

FITTING NO.

809-777-21K

SUBMITTED MODEL NO.

JOB NAME

ITEM NO.

SUBMITTED AS SHOWN

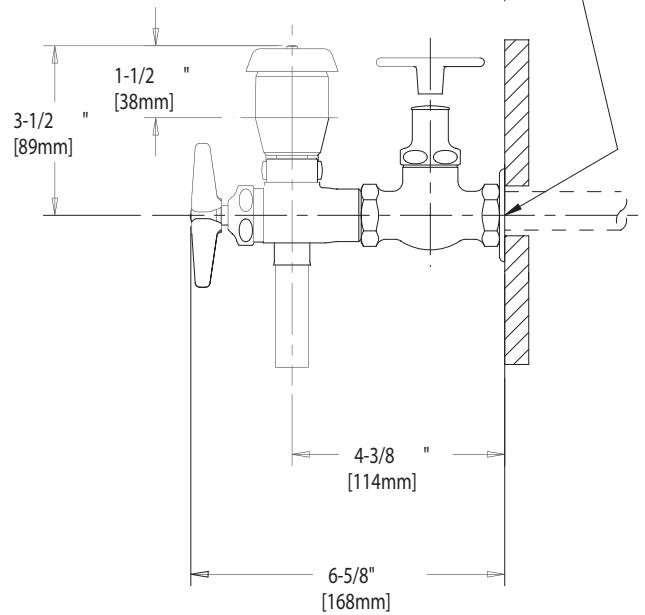
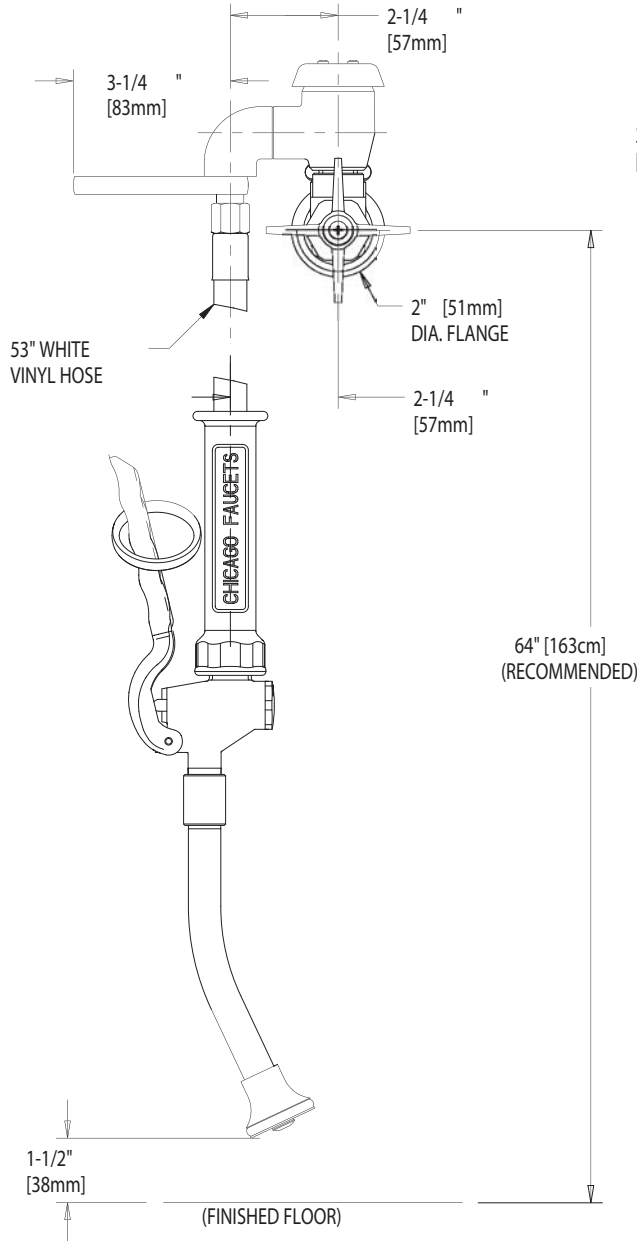
SUBMITTED AS NOTED

SEE ATTACHED FOR
SUBMITTED MODIFICATION

NOTE: ALL DOTTED LINE PIPING
IS 1/2" IPS UNLESS OTHERWISE
SPECIFIED AND SUPPLIED BY OTHERS

1/2" NPT FEMALE
THREAD INLET

FINISHED WALL



IS ASSUMED FOR USE OF SUPERCEDED OR VOIDED DATA.

ROUGHING IN DIMENSIONS MAY VARY AND ARE SUBJECT TO CHANGE. NO RESPONSIBILITY

TECHNICAL DATA

- EXPOSED BED PAN FLUSHER
- ATMOSPHERIC VACUUM BREAKER
- 633 INDEXED CROSS HANDLE
- 293-006 TEE HANDLE
- SLOW COMPRESSION OPERATING CARTRIDGE
- FINISH: CHROME PLATE

- 53" [135cm] WHITE VINYL HOSE WITH INSULATED SLEEVE HANDLE
- 777-21K AHGLE SPRAY NOZZLE WITH VALVE AND RUBBER BOUND SPRAY OUTLET
- ASME A112.18.1M COMPLIANT
- CSA B125 COMPLIANT

DATE: 05-20-02

BY: SID

CHK'D:

APP'D:

REV: A

809-777-21K