

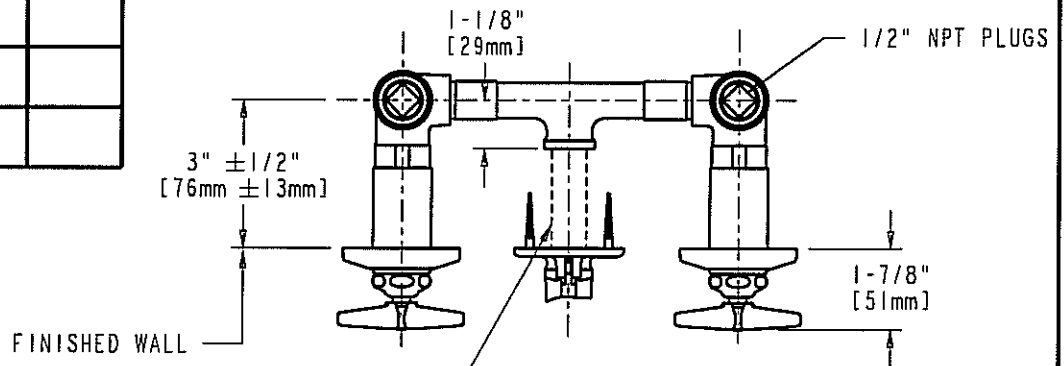
JOB NAME

ITEM NO.

SUBMITTED AS SHOWN

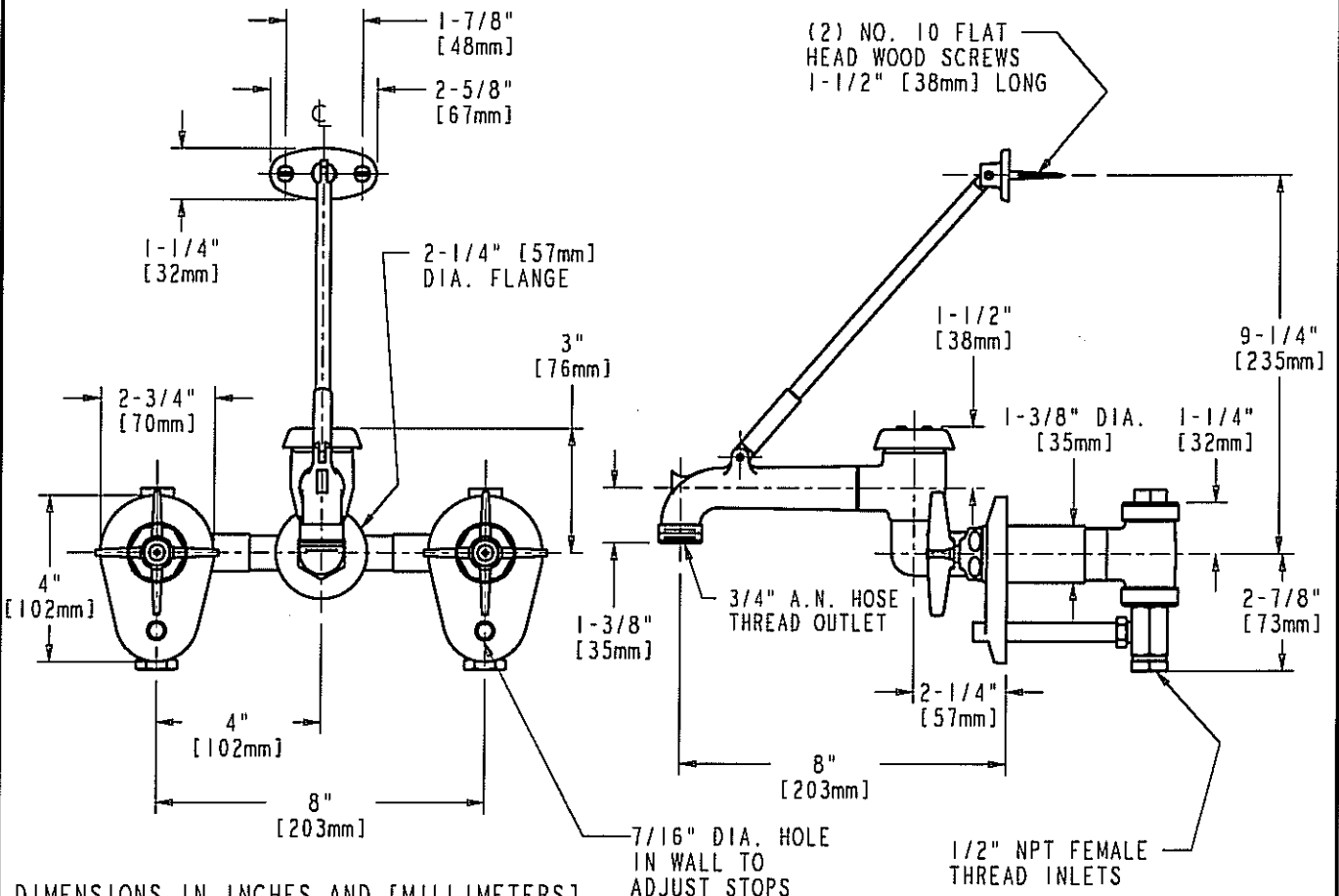
SUBMITTED AS NOTED

SEE ATTACHED FOR  
SUBMITTED MODIFICATION



NOTE: 1/2" IPS NIPPLE  
SUPPLIED BY OTHERS

**FRONT VIEW**



DIMENSIONS IN INCHES AND [MILLIMETERS].

**TECHNICAL DATA**

- WALL MOUNTED CONCEALED FITTING
- RIGID VACUUM BREAKER SPOUT
- 633 INDEXED CROSS HANDLES
- SLO-COMPRESSION CARTRIDGES
- FINISH: CHROME PLATE

- PAIL HOOK AND WALL SUPPORT
- INTEGRAL SERVICE STOPS
- TEAR DROP ESCUTCHEONS
- ASME A112.18.1M COMPLIANT
- CSA B125 COMPLIANT

DATE: 06-09-04

BY: SID

CHK'D:

APP'D: *[Signature]*

REV: A

782-VBIS

ROUGHING IN DIMENSIONS MAY VARY AND ARE SUBJECT TO CHANGE. NO RESPONSIBILITY IS ASSUMED FOR USE OF SUPERCEDED OR VOIDED DATA.