

ROUGHING IN DIMENSIONS MAY VARY AND ARE SUBJECT TO CHANGE. NO RESPONSIBILITY IS ASSUMED FOR USE OF SUPERCEDED OR VOIDED DATA. (0192-1)

CHICAGO[®] FAUCETS

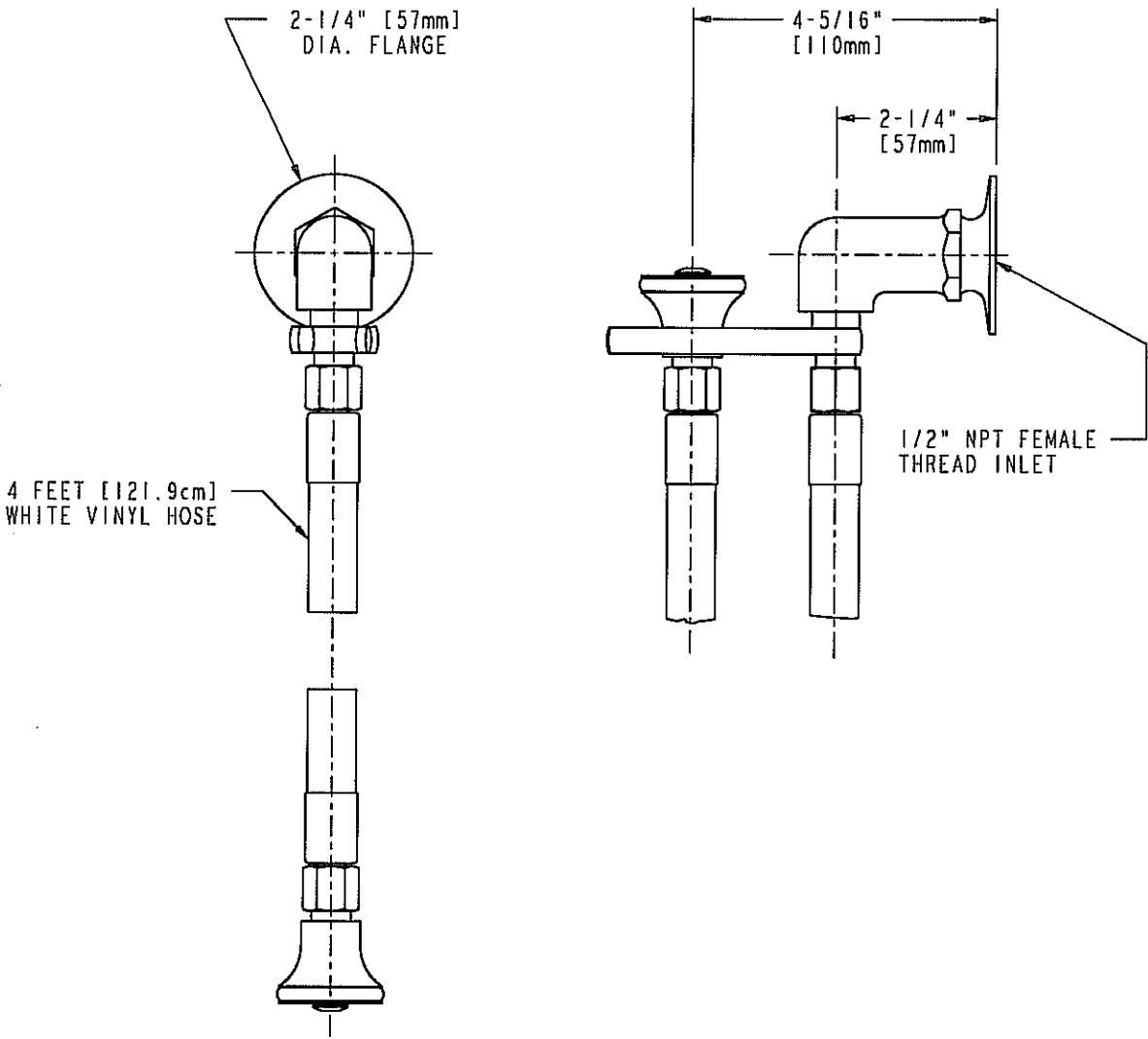
2100 SOUTH CLEARWATER DRIVE
DES PLAINES, ILLINOIS 60018-5999

FITTING NO.
778-S
SUBMITTED MODEL NO.

JOB NAME

ITEM NO.

SUBMITTED AS SHOWN	
SUBMITTED AS NOTED	
SEE ATTACHED FOR SUBMITTED MODIFICATION	



TECHNICAL DATA

- WALL MOUNTED OUTLET WITH SPRAY
- 4 FEET [121.9cm] WHITE VINYL HOSE
- POLISHED CHROME FINISH
- E21 SPRAY OUTLET
- ANSI A112.18.1 COMPLIANT
- CSA B125 COMPLIANT

DATE: 07-15-97
 BY: MGM
 CHK'D: *DT*
 APP'D:
 REV: 07-15-97

778-S