

ROUGHING IN DIMENSIONS MAY VARY AND ARE SUBJECT TO CHANGE. NO RESPONSIBILITY IS ASSUMED FOR USE OF SUPERCEDED OR VOIDED DATA. (0192-1)

CHICAGO[®] FAUCETS

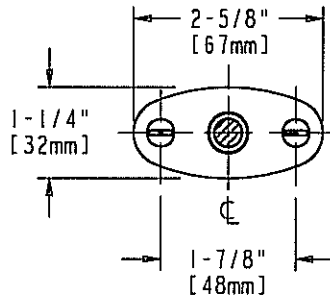
2100 SOUTH CLEARWATER DRIVE
DES PLAINES, ILLINOIS 60018-5999

FITTING NO.
756-R
SUBMITTED MODEL NO.

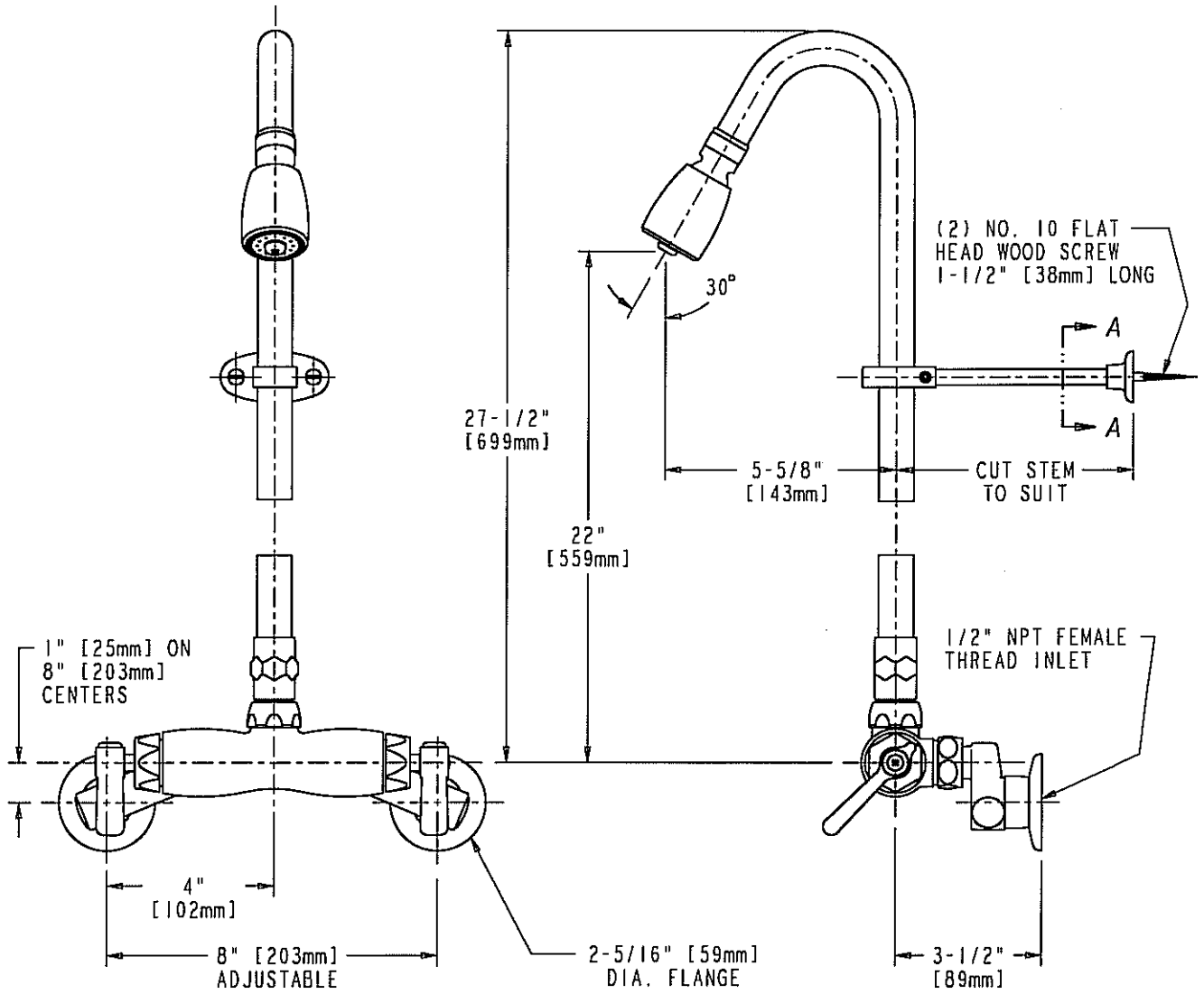
JOB NAME _____

ITEM NO. _____

SUBMITTED AS SHOWN	
SUBMITTED AS NOTED	
SEE ATTACHED FOR SUBMITTED MODIFICATION	



SECTION A-A



DIMENSIONS IN INCHES AND [MILLIMETERS].

TECHNICAL DATA		DATE: 07-09-97 BY: MGM CHK'D: <i>ST</i> APP'D: REV: 07-09-97
<ul style="list-style-type: none"> - BACK MOUNTED EXPOSED SHOWER FITTING - 369 INDEXED LEVER HANDLES - QUATURN UNITS - 902M PIPE SUPPORT - POLISHED CHROME FINISH OR AS SPECIFIED 	<ul style="list-style-type: none"> - 'R' ADJUSTABLE SUPPLY ARMS - 620 SHOWER HEAD - 2.5 GPM [9.5 L/min.] @ 80 PSI - ANSI A112.18.1 COMPLIANT - CSA B125 COMPLIANT 	<div style="writing-mode: vertical-rl; transform: rotate(180deg); font-weight: bold; font-size: 24px;">756-R</div>