

ROUGHING IN DIMENSIONS MAY VARY AND ARE SUBJECT TO CHANGE. NO RESPONSIBILITY IS ASSUMED FOR USE OF SUPERCEDED OR VOIDED DATA. (0192-1)

CHICAGO. FAUCETS

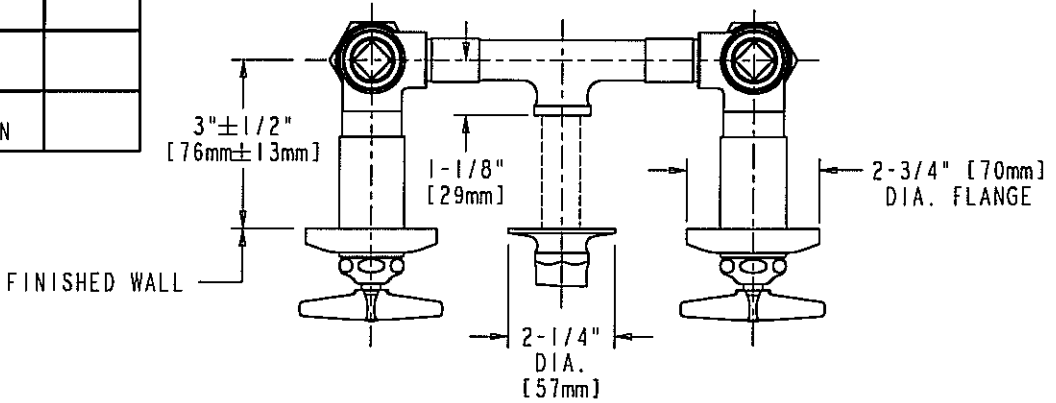
2100 SOUTH CLEARWATER DRIVE
DES PLAINES, ILLINOIS 60018-5999

FITTING NO.
778-VB
SUBMITTED MODEL NO.

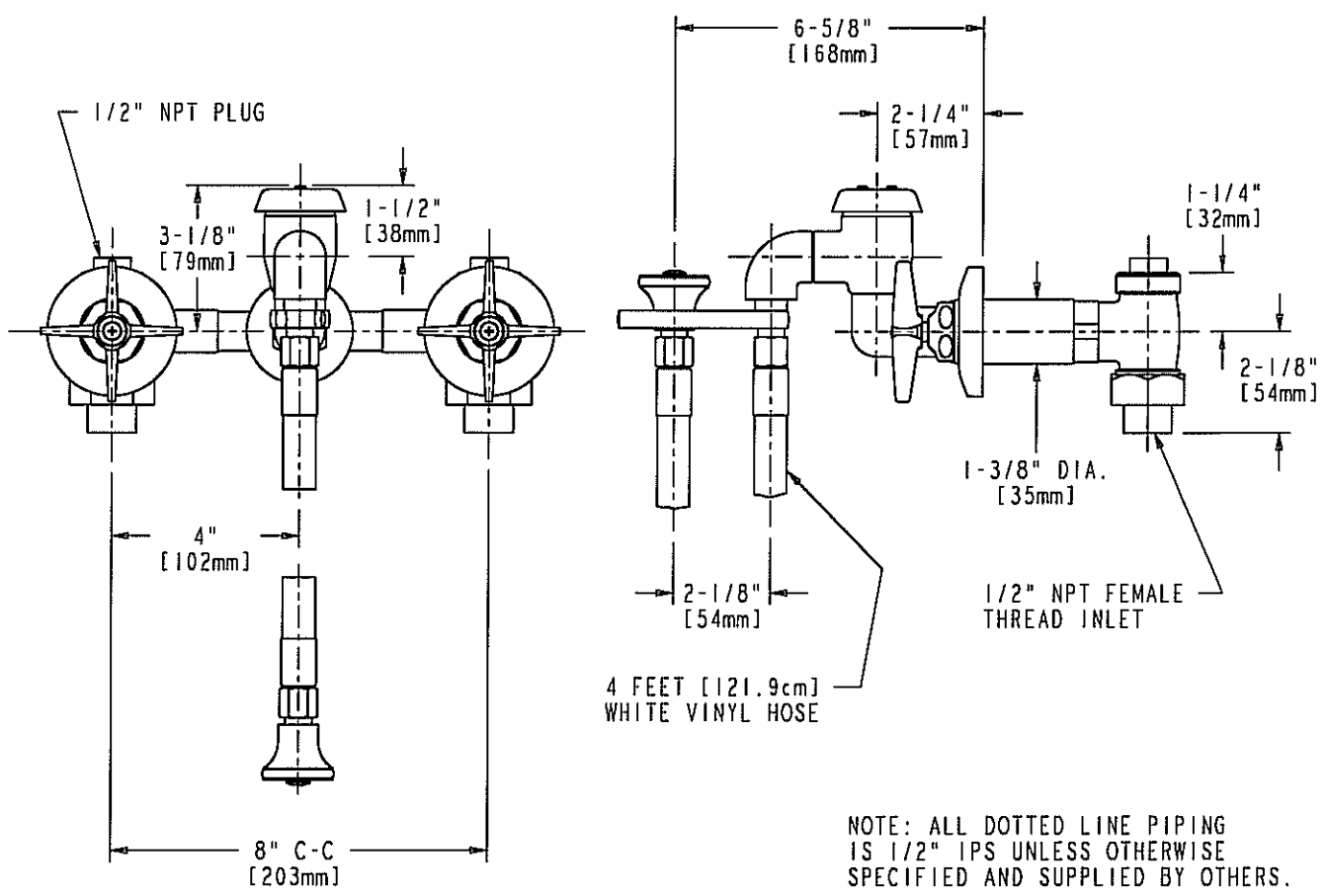
JOB NAME

ITEM NO.

SUBMITTED AS SHOWN	
SUBMITTED AS NOTED	
SEE ATTACHED FOR SUBMITTED MODIFICATION	



TOP VIEW



NOTE: ALL DOTTED LINE PIPING IS 1/2" IPS UNLESS OTHERWISE SPECIFIED AND SUPPLIED BY OTHERS.

TECHNICAL DATA

- WALL MOUNTED BED PAN FLUSHER
- VACUUM BREAKER SPOUT
- 633 INDEXED 4-ARM HANDLES
- SLO-COMPRESSION UNITS
- POLISHED CHROME FINISH
- 4 FEET [121.9cm] WHITE VINYL HOSE
- E21 SPRAY OUTLET
- ANSI A112.18.1 COMPLIANT
- CSA B125 COMPLIANT

DATE: 07-16-97	778-VB
BY: MGM	
CHK'D: <i>[Signature]</i>	
APP'D:	
REV: 07-16-97	