

# MECHANICAL FAUCETS

## 778-S777-16KCP



### Hygiene and Salon

#### Product Type

Wall Mounted Single Handle Bed Pan Cleaner Bed Pan Cleaner

#### Features & Specifications

- Single Handle Bed Pan Cleaner
- Full Flow Spray
- 1/2" NPT Female Thread Inlet with Integral Flange
- 53" White Vinyl Hose with Insulated Handle

#### Performance Specification

- Rated Operating Pressure: 20-125 PSI
- Rated Operating Temperature: 40-140°F

#### Warranty

- Lifetime Limited Faucet Warranty
- 5-Year Limited Cartridge Warranty
- 1-Year Limited Finish Warranty

#### Codes & Standards

- ASME A112.18.1/CSA B125.1

Job Name \_\_\_\_\_

Item Number \_\_\_\_\_

Section/Tag \_\_\_\_\_

Model Specified \_\_\_\_\_

Architect \_\_\_\_\_

Engineer \_\_\_\_\_

Contractor \_\_\_\_\_

Submitted as Shown       Submitted with Variations

Date \_\_\_\_\_



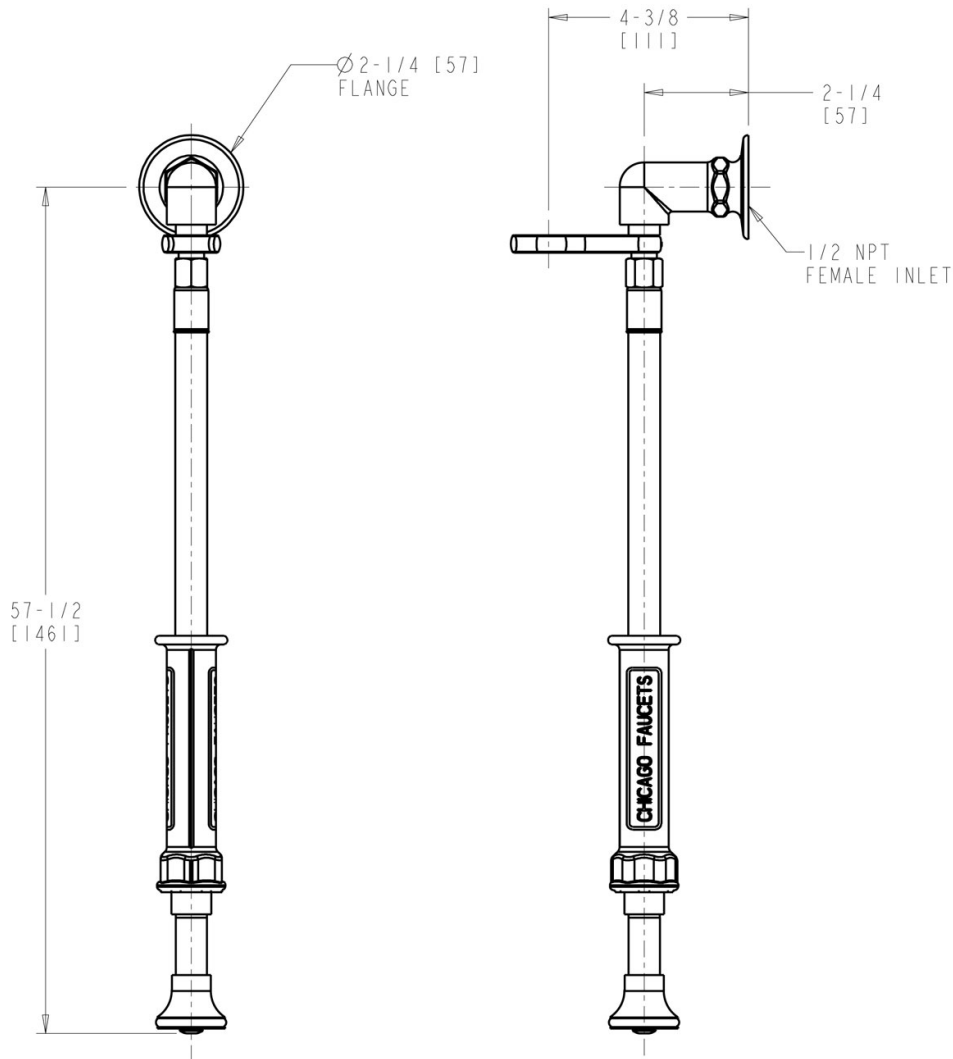
2100 South Clearwater Drive  
Des Plaines, IL  
P: 847/803-5000  
F: 847/803-5454  
Technical: 800/TEC-TRUE  
www.chicagofaucets.com

# 778-S777-16KCP

## Hygiene and Salon

### Architect/Engineer Specification

Chicago Faucets No. 778-S777-16KCP, Wall Mounted Single Handle Bed Pan Cleaner Bed Pan Cleaner, Chrome Plated solid brass construction. Full Flow Male Rose Spray. 1/2" NPT Female Thread Inlet with Integral Flange. 53" White Vinyl Hose with Insulated Handle. .



### Operation and Maintenance

Installation should be in accordance with local plumbing codes. Flush all pipes thoroughly before installation. After installation, remove spout outlet or flow control and flush faucet thoroughly to clear any debris. Care should be taken when cleaning the product. Do not use abrasive cleaners, chemicals or solvents as they can result in surface damage. Use mild soap and warm water for cleaning and protecting the life of Chicago Faucet products. For specific operation and maintenance refer to the installation instructions and repair parts documents that are located at [www.chicagofaucets.com](http://www.chicagofaucets.com).

Chicago Faucets, member of the Geberit Group, is the leading brand of commercial faucets and fittings in the United States, offering a complete range of products for schools, laboratories, hospitals, office buildings, food service, airports and sport facilities. Call 1.800.TECTRUE or 1.847.803.5000 Option 1 for installation or other technical assistance.

