

JOB NAME

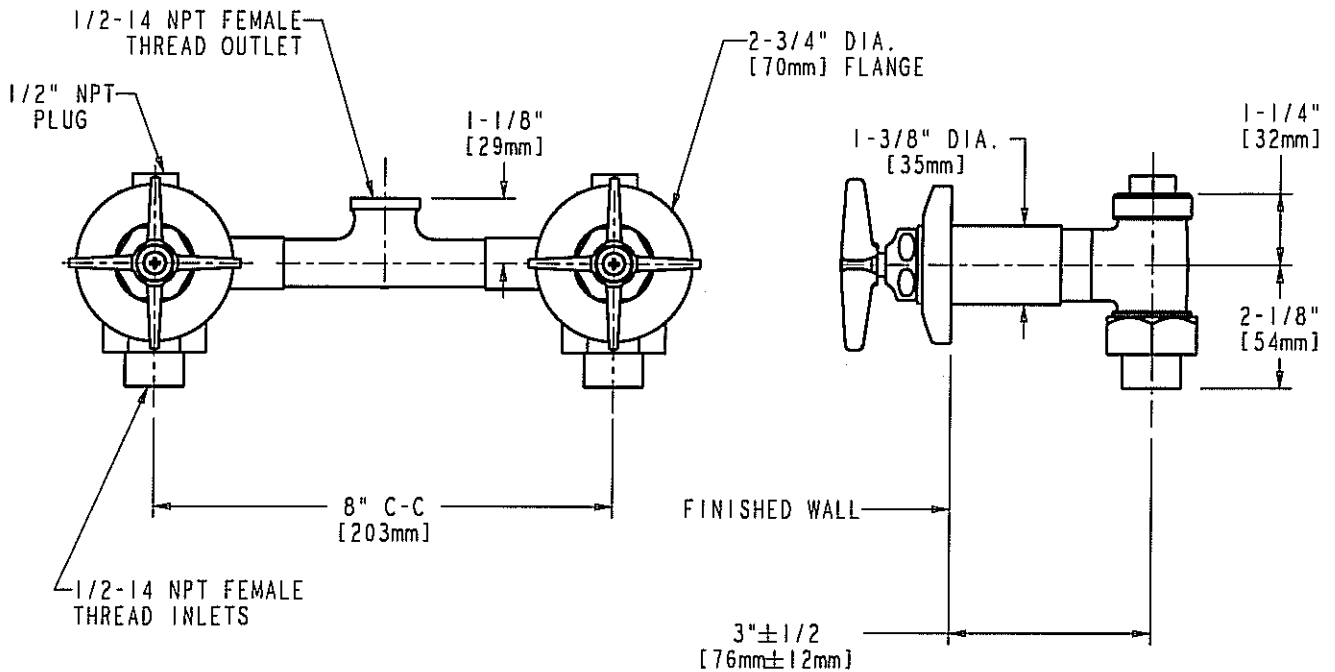
ITEM NO.

SUBMITTED AS SHOWN

SUBMITTED AS NOTED

SEE ATTACHED FOR
 SUBMITTED MODIFICATION

ROUGHING IN DIMENSIONS MAY VARY AND ARE SUBJECT TO CHANGE. NO RESPONSIBILITY IS ASSUMED FOR USE OF SUPERCEDED OR VOIDED DATA.



DIMENSIONS IN INCHES AND [MILLIMETERS].

TECHNICAL DATA

- BUILT-IN SHOWER FITTING
- 633 HOT AND COLD INDEXED CROSS HANDLES
- SLO-COMPRESSION OPERATING CARTRIDGES
- 1/2" NPT FEMALE INLETS
- FINISH: CHROME PLATE

- ASME A112.18.1M COMPLIANT
- CSA B125 COMPLIANT

DATE: 02-02-04

BY: SID

CHK'D:

APP'D: *AT*

REV: A

767-VOC